



**Putzmeister**

**Semi-dry floor screed**

**Self levelling  
floor screed**

**Plaster/Fine plaster**

**Shotcrete**

**Fine grained concrete**

**Special applications**



# Catalogue 2018/2019

Screed conveyors, plastering machines, fine concrete pumps

# Putzmeister – a name that stands for quality and innovation



Putzmeister Mörtelmaschinen GmbH offers one of the world's most comprehensive range of powerful machines for a wide variety of applications. Whether screed, self levelling floor screed, plaster, fine grained concrete or shotcrete – we offer a range of machines ideal for mixing and pumping.

## Technology with more value

We want to be more than just a technological leader. We want to be a reliable partner for our customers. We therefore offer you:

- **A comprehensive network of competent sales partners**
- **Complete, comprehensible technical documentation**
- **Competent contact representatives to answer your questions**
- **Fast, uncomplicated order processing**
- **Short delivery times for machines, spare parts, and wear parts**
- **Fair pricing**
- **Certification according to DIN ISO 9001**





|                             | Model                               | Delivery rate              | Maximum delivery range*   | Material/Max. particle size | Model   | Delivery rate           | Maximum delivery range*   | Material/Max. particle size |
|-----------------------------|-------------------------------------|----------------------------|---|-----------------------------|---|-------------------------|---|-----------------------------|
| Semi-dry floor screed       | <b>Mixokret M 740</b><br>Page 12    | 3.8–5 m³/h                 | 180 m horizontal<br>90 m vertical   | 16 mm                       | <b>Mixokret M 500/<br/>M 700</b><br>w/o comp.,<br>Page 10 | 4 m³/h                  | 120 m horizontal<br>60 m vertical   | 32/16 mm                    |
|                             | <b>Mixokret M 760</b><br>Page 14    | 4–5 m³/h                   | 200 m horizontal<br>150 m vertical  | 16 mm                       | <b>Mixokret M 720</b><br>Page 10                          | 3.5 m³/h                | 80 m horizontal<br>45 m vertical  | 16 mm                       |
|                             | <b>Mixokret M 760 3B</b><br>Page 16 | 4–5 m³/h                   | 200 m horizontal<br>150 m vertical  | 16 mm                       |   |                         |   |                             |
| Self levelling floor screed | <b>SP 11 THF</b><br>Page 22         | 0–15 m³/h<br>(0–250 l/min) | 100 m horizontal<br>60 m vertical   | 8 mm                        | <b>MP 25</b><br>Page 28                                   | 25 l/min                | 40 m horizontal<br>15 m vertical  | 4 mm                        |
|                             | <b>P 715</b><br>Page 60             | 4–17.4 m³/h                | 300 m horizontal<br>100 m vertical  | 16 mm                       | <b>SP 20 THF</b><br>Page 24                               | 0–20 m³/h               | 200 m horizontal<br>60 m vertical   | 12 mm                       |
| Plaster/Fine plaster        | <b>SP 11 LMR</b><br>Page 44         | 5–60 l/min                 | Exterior and interior plasters:<br>60 m horizontal<br>40 m vertical                   | 6 mm                        | <b>S 5 EF</b><br>Page 20                                  | 90 l/min                | 60 m horizontal<br>40 m vertical  | 8 mm                        |
|                             | <b>SP 11 TMR</b><br>Page 46         | 5–75 l/min                 | Exterior and interior plasters:<br>70 m horizontal<br>50 m vertical                   | 6/8 mm                      | <b>MP 20 EV</b><br>Page 26                                | 2–12 l/min              | 25 m horizontal<br>10 m vertical  | 3 mm                        |
|                             | <b>S 5 EV/ EVTM</b><br>Page 38      | 7–40 l/min                 | 60 m horizontal<br>40 m vertical  | 6 mm                        | <b>MP 25</b><br>Page 28                                   | 25 l/min                | 40 m horizontal<br>15 m vertical  | 4 mm                        |
|                             | <b>P 13</b><br>Page 56              | 30–90 l/min                | 150 m horizontal<br>80 m vertical<br>Site mix: 60 m horizontal,<br>40 m vertical      | 6–8 mm                      | <b>P 12</b><br>Page 32                                    | 6–12 l/min              | 30 m horizontal<br>15 m vertical  | 4 mm                        |
| Shotcrete                   | <b>P 715</b><br>Page 60             | 4–17.4 m³/h                | 300 m horizontal<br>100 m vertical<br>Shotcrete:<br>100 m horizontal<br>80 m vertical | 16 mm                       | <b>CM 15</b><br>Page 36                                   | Mixer output<br>15–20 l | –   | 4 mm                        |
|                             | <b>P 715</b><br>Page 60             | 4–17.4 m³/h                | 300 m horizontal<br>100 m vertical<br>Shotcrete:<br>100 m horizontal<br>80 m vertical | 16 mm                       | <b>P 13</b><br>Page 56                                    | bis zu 5 m³/h           | 150 m horizontal<br>80 m vertical<br>Shotcrete: 70 m horizontal,<br>50 m vertical     | 6–8 mm                      |
| Fine grained concrete       | <b>P 715</b><br>Page 60             | 4–17.4 m³/h                | 300 m horizontal<br>100 m vertical<br>Shotcrete:<br>100 m horiz., 80 m vert.          | 16 mm                       | <b>P 718</b><br>Page 66                                   | 4–17.4 m³/h             | 300 m horizontal<br>100 m vertical<br>Shotcrete: 100 m horizontal,<br>80 m vertical   | 32 mm                       |
|                             | <b>P 13</b><br>Page 56              | up to 5 m³/h               | 150 m horizontal<br>80 m vertical   | 6–8 mm                      | <b>P 718</b><br>Page 66                                   | 4–17.4 m³/h             | 300 m horizontal<br>100 m vertical<br>Shotcrete:<br>100 m horizontal<br>80 m vertical | 32 mm                       |

|                      |  |   |
|----------------------|--|---|
| Special applications | <b>Concrete repairs</b>                    | <b>S 5</b> (P. 38), <b>SP 11</b> (P. 44-46), <b>P 12</b> (P. 32)  |
|                      | <b>Self-levelling compound</b>             | <b>S 5</b> (P. 38), <b>MP 25</b> (P. 28)  |
|                      | <b>Geothermal drilling</b>                 | <b>S 5</b> (P. 38), <b>SP 11</b> (P. 44-46), <b>P 13</b> (P. 56), <b>P 715</b> (P. 60)                          |
|                      | <b>Fire protection</b>                     | <b>P 12</b> (P. 32), <b>S 5</b> (P. 38), <b>SP 11</b> (P. 44-46)  |
|                      | <b>Glass-fibre-reinforced concrete</b>     | <b>S 5</b> (P. 38)  |
|                      | <b>Injecting/grouting/filling/pointing</b> | <b>S 5</b> (P. 38), <b>P 12</b> (P. 32), <b>P 13</b> (P. 56), <b>SP 11</b> (P. 44-46), <b>P 715</b> (P. 60)     |
|                      | <b>Masonry mortar</b>                      | <b>CM 15</b> (P. 36), <b>P 13</b> (P. 56), <b>SP 11</b> (P. 44-46), <b>S 5</b> (P. 38)                          |
|                      | <b>ETICS</b>                               | <b>P 12</b> (P. 32), <b>MP 20 EV</b> (P. 26), <b>MP 25</b> (P. 28), <b>S 5</b> (P. 38), <b>SP 11</b> (P. 44-46) |
|                      | <b>Sand, aggregate, gravel</b>             | <b>Mixokret M 500/M 700/M 720</b> (P. 10), <b>M 740</b> (P. 12), <b>M 760</b> (P. 14), <b>M 760 3B</b> (P.16)   |

**Legend**



**SM** – Site mix  
(water, aggregate, binder)



Suitable for large construction sites



**PDM** – Premixed dry mortar  
(bagged goods or combination from silo and flow-type mixer)



Suitable for small construction sites

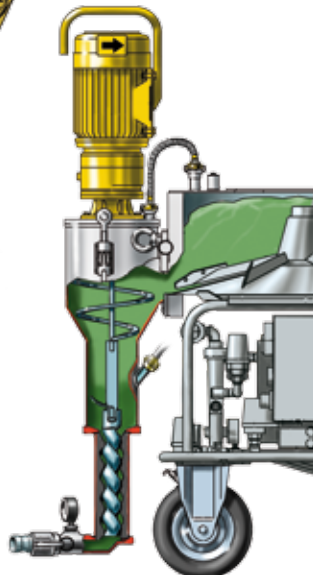
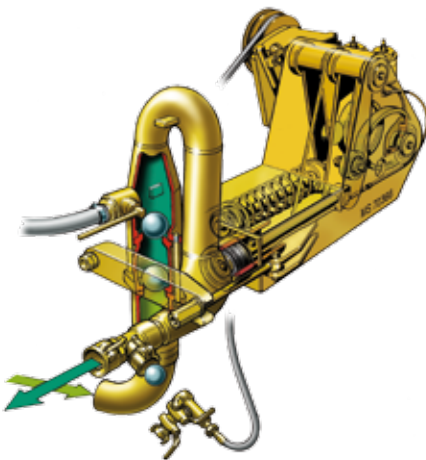
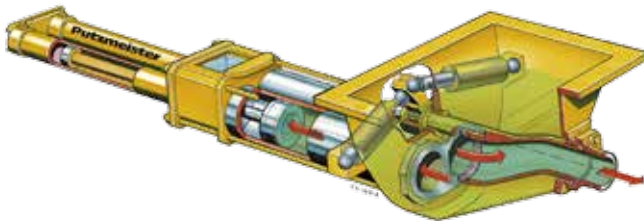
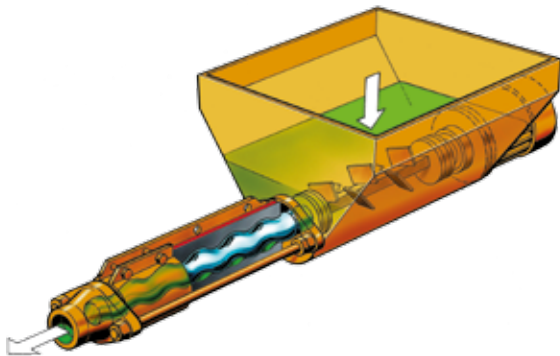
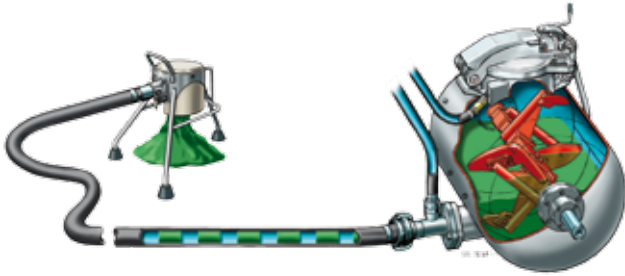


**RMM** – Ready mixed mortar  
(ready mix wet material from container or truck mixer)

**Note:** Always use a compatible mortar in combination with the machine technology. In you have any questions, please speak to the material manufacturer or contact us directly.

\* Depending on material and machine configuration.

# Range of pumps – the right system for every application



Our machines are equipped with different pump systems that are tailored to the respective applications.

## Compressed-air conveyors

Our conveyors operate according to the plug conveyance principle and are ideally suited to conventional screed applications. Some of the compressed air enters the pressure reservoir as header air and is mixed with the material to be conveyed, while the remainder enters the pressure line in order to separate the material into plugs and push them along the hose. e.g. M 500, M 700, M 720, M 740, M 760, M 760 3B.

## Worm pumps

The material flows steadily out of the hopper and into the screw conveyor assisted by the mixer shaft. The conveyor consists of a rotating steel shaft (rotor) and a flexible rubber housing (stator), and the delivery rate and pressures depend on the geometry of these parts. These durable worms have a robust design and are capable of conveying high-viscosity materials. e.g. S 5, SP 11.

## Piston pumps

Putzmeister double piston pumps operate with a high degree of reliability. The low-set agitator conveys concrete to the cylinder openings, and two changeover cylinders move the S transfer tube back and forth between the pressure and suction openings. Hard chrome plated delivery cylinders, spectacle wear plates made from hardened steel and the design of the S transfer tube system all guarantee a long service life. e.g. P 715, P 718.

## Mechanical single piston pumps

A pump for extreme conditions. The material is conveyed from the trap mixer through the hopper to the intake opening, where the delivery piston draws it through the valve housing. Automatically controlled ball valves then operate to open the channel to the pressure outlet of the pump. The delivery pistons are driven by a cam disc and operate with a counter stroke, whereby one piston only offers a balancing function. e.g. P 13.

## Mixer pumps

The hopper can be filled with bagged goods or premixed dry mortar via an air injection hood. The material enters the mixing pipe assisted by the agitator, and the water quantity can be adjusted accurately and added directly to the mortar in the mixing zone. The pump consists of a flexible rotor & stator system, e.g. MP 25.



## Solutions for conventional screed

Site mixes (water, aggregate, binder) with a maximum particle size of 16 mm are added to the mixing vessel and then conveyed to the discharge tripod by compressed air.



M 500 - M 760 3 B

Semi-dry floor screed

## Solutions for self levelling floor screed

For flowing screeds produced at a screed or concrete plant, and then delivered direct to the construction site after the addition of a retarding admixture, a machine with either a worm pump or a piston pump can be used, depending on the distance, delivery rate/method and particle size (max. 16 mm).

We also offer economical solutions for self levelling floor screed in the form of premixed dry bags or site mixes with a maximum particle size of 4 to 8 mm.



S 5 EF, SP 11 THF, SP 20 THF, MP 25, P 13, P 715

Self levelling floor screed

## Solutions for standard and fine plaster

Putzmeister offers a wide range of mixing and pumping systems, primarily different versions of worm pumps for processing premixed dry material with a maximum particle size of 3 to 8 mm.

Alternatively, we also offer a machine with a piston pump for pumpable site mixes containing aggregate (sand), lime or cement and water, which are combined in the trap mixer and applied with a spray gun.



P 12, CM 15, MP 20, MP 25, S 5, P 13, SP 11

Plaster/Fine plaster

## Solutions for shotcrete

Shotcrete is manufactured using a special process and conveyed from a truck mixer into the pump hopper. A special spray gun is then used for the technically complex application process. Accelerating admixture that reduces the retarding time of the concrete can be added according to the consistency, coating thickness, etc.



P 13, P 715, P 718

Shotcrete

## Solutions for fine grained concrete

Fine grained concrete is characterised by a maximum grain size of 32 mm. The premixed, wear-intensive material is added to the hopper on the machine, and can then be conveyed over long distances to the required placement site, usually by extremely robust, wear-resistant piston pumps.



P 13, P 715, P 718

Fine grained concrete

## Solutions for special applications

We have one or more suitable solutions for every special application. Putzmeister machines can be adapted perfectly to specific requirements in combination with the relevant accessory kits.



P 12, CM 15, MP 20, MP 25, S 5, SP 11, P 13

Special applications

# Maximum efficiency, maximum economic benefit – because only quality prevails

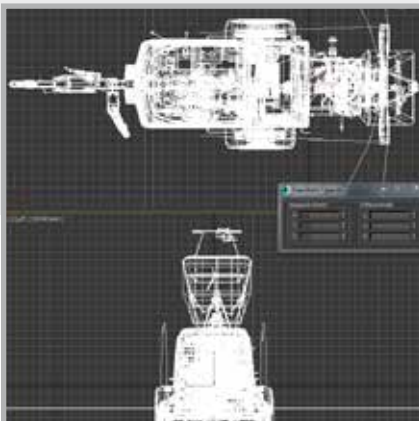


## Made in Germany – delivering consistent quality

We believe that only quality prevails. We therefore rely on the **“made in Germany”** quality standard. Most main/drive components are developed and manufactured by Putzmeister or originate from other renowned German manufacturers.

## Developed, produced and tested by a single company

More than 200 employees at Putzmeister Mörtelmaschinen in Development, Production and Testing, work hand in hand to make your life easier. However, it is our customers and their individual challenges on construction sites that create a stimulus for improvement.





# Putzmeister – at home on any construction site



India, Mumbai



Russia, Ryazan  
placement of ~ 100,000 m<sup>2</sup> of screed



Germany



Maldives, Vilufushi Island



Africa, Zambia, Lusaka



France, Bordeaux

Central Market Project in Abu Dhabi,  
Conveying screed in two stages to a  
height of 320 m

# Eco-friendly and durable – because sustainability is the best policy

## Generous power reserves and economical consumption

Putzmeister machines have more than enough power under the hood for every application. They are therefore rarely pushed to their limit. When idling, the motor automatically reduces its speed of rotation even further to save fuel and reduce wear.



## Durability maximised right down to the last detail

All materials and components have a maximum life and wear resistance limit. For example, the hood from our Mixokret machines is manufactured from high-strength, extremely impact-resistant plastic. The piston pumps on the P 715, P 718 and P 13 are fitted with hard chrome plated cylinders as well as a spectacle wear plate made from tempered steel – just some of the many practical details.



## Less noise – less working stress

We keep noise levels to a minimum. Our engines are extremely quiet and operate efficiently, even at low speeds. They are also sound-insulated. The user-friendly exhaust air system also prevents the operator from being bothered unnecessarily during work.

## Material selected according to the application

Delivering fine plaster creates a whole new set of challenges for machine components compared to pumping sand or aggregate. At the same time, costs must remain transparent, in particular those of spare parts. Our machines are therefore fitted with components whose service life is designed for the specific application.

## Repairable design for outstanding value retention

Service and maintenance characteristics play an important role in the design of our machines, because the easier it is to access all components on the machine, the less time and money is invested to complete essential work and the longer it is worth repairing. We keep more than 12,000 items in stock should the worst come to the worst, and even spare parts for older models are available at short notice. Fortunately, there are more available than you think.



## On the safe side with Putzmeister

Our customers appreciate the fact that our machines are considered premium-class products in terms of quality, productivity and durability. You can also rest assured that our products comply with all currently applicable standards and Machinery Directives. Ultimately, it is a win-win situation in terms of safety for users who work with and around the machine as well as for owners because the investment is protected against possible damage.

- Cement screed
- Calcium sulphate screed (anhydrite)
- Magnesia screed



# Mixokret M 500 / M 700 / M 720

Lightweight, compact alternatives for a wide range of applications



- Sand and aggregate

| Equipment standard / option:            | M 500 E | M 700 E | M 720 DHB |
|---|---------|---------|-----------|
| Central mixing vessel outlet            | ■       | ■       | ■         |
| Discharge stand                         | ■       | ■       | ■         |
| Grease cartridge                        | ■       | ■       | ■         |
| Instruction manual and spare parts list | ■       | ■       | ■         |
| Lever press with hose                   | ■       | ■       | ■         |
| Manual lid                              | ■       | ■       | ■         |
| Standard colour paintwork               | ■       | ■       | ■         |
| Truck coupling                          | ■       | ■       | □         |
| Car coupling                            | -       | -       | ■         |
| Bumped boiler end set                   | -       | □       | □         |
| Centralised lubrication system          | -       | -       | □         |
| Customer labelling                      | -       | -       | □         |
| High-pressure cleaner                   | -       | -       | □         |
| Wear plates at the dome                 | -       | □       | -         |

- Not available □ Option ■ Standard

\* The data is based on experience and depends on the materials used.

\*\* Recommend air volume = 4m<sup>3</sup>/min. Higher air volume increases the delivery distance.



### Variety adapted to customer requirements

- Different mixing vessel volumes allow longer delivery intervals
- Large hand hole and additional cleaning connections for faster cleaning
- Lock and grille on the cover for increased safety
- Flexible use of hoses and pressure connections depending on machine and application



### Robust, wear-resistant, economical

- Also suitable for extremely coarse materials (M 500 to 32 mm maximum particle size)
- Reinforced, hot-dip galvanised hopper for greater robustness and durability



### M 500/M 700 – Electrically powered + flexible with external compressor

- Lightweight, electrically powered screed conveyor with 7.5 kW (M 700) or 18.5 kW motor (M 500)
- Air connection for external auxiliary compressor, therefore purchase price is lower as a result
- Easy to transport and move on the construction site



### M 720 – Fully-fledged screed machine with compact dimensions

- Ideal for screed jobs with a maximum placement volume of 150 m<sup>2</sup> per day, and use with lightweight towing vehicles
- High-quality processing and economic diesel engine for greater cost effectiveness
- Simple, clearly laid out controls and loader for ergonomic working conditions



| Technical data           | M 500 E  | M 700 E  | M 720 DHB                                      |
|--------------------------|--|--|--|
| Part no.                 | 111 598.003  | 111 599.002  | 111 653.000                                    |
| Mixing vessel            | 640 l, 500 l useful capacity   | 260 l, 200 l useful capacity   | 200 l, 160 l useful capacity                   |
| Delivery rate (theor.)*  | 4 m <sup>3</sup> /h  | 3.8 m <sup>3</sup> /h  | 3.5 m <sup>3</sup> /h                          |
| Max. delivery pressure   | 7 bar  | 7 bar  | 5 bar  |
| Delivery range**         | 120 m horizontal, 60 m vertical (approx. 20 storeys)                                   | 120 m horizontal, 60 m vertical (approx. 20 storeys)                                     | 80 m horizontal, 45 m vertical (15 storeys)    |
| Compressor               | required with output of 4 m <sup>3</sup> /min and 7 bar operating pressure or higher** | required with output of 2.5 m <sup>3</sup> /min and 7 bar operating pressure or higher** | 2,500 l/min at 4.5 bar                         |
| Engine                   | Electric 18.5 kW, 400 V 3-phase 50 Hz, 32 A  | Electric 7.5 kW, 400 V 3-phase 50 Hz, 16 A   | 3-cylinder Kubota diesel, 22.5 kW at 2,300 rpm |
| Fuse                     | CEE 63 connector   | CEE 32 socket  | –  |
| Weight                   | 1,200 kg   | 700 kg   | 1,280 kg                                       |
| Length × width × height  | 3,730 × 1,400 × 1,410 mm   | 2,670 × 1,280 × 1,190 mm   | 3,940 × 1,550 × 2,450 mm                       |
| Loader height (vertical) | 1,410 mm   | 1,190 mm   | 2,450 mm                                       |
| Filling height           | 1,140 mm   | 860 mm   | 700 mm   |
| Maximum particle size    | 32 mm  | 16 mm  | 16 mm  |
| Pressure connection      | KKV 70   | KKV 70   | KKV 70   |

Semi-dry floor  
screed

- Cement screed
- Calcium sulphate screed (anhydrite)
- Magnesia screed



# Mixokret M 740

## Power and durability

**Scaper**  
to fill easily

**Noise emission**  
reduced up to 2 dB

**Hydraulic feeder**  
to work more efficiently

**Operating panel**  
clear and userfriendly

**Fuel reduction**  
of up to 15% due to  
optimized compressor unit

**Tool box** integrated  
all necessary tools on board

**Chassis** with autom.  
brake adjustment



### Equipment standard / option:

### M 740

|  |   |
|--|---|
| Autom. brake adjustment                                  | ■ |
| Car coupling   | ■ |
| Central lubrication system                               | ■ |
| Discharge stand  | ■ |
| Grease pump for lubrication system                       | ■ |
| Instruction manual and spare parts list                  | ■ |
| Lever press with hose                                    | ■ |
| Lifting eye  | ■ |
| Reservoir gauge in control panel                         | ■ |
| Toolbox 40 l integrated                                  | ■ |
| Working lights   | ■ |
| Conversion to 100 km/h                                   | □ |
| High-pressure cleaner                                    | □ |
| Light holder 24 V  | □ |
| Location system  | □ |
| Mixing time adjustment                                   | □ |
| Protective plate for feeder                              | □ |
| Special canopy paint in RAL colours / Customer labelling | □ |
| Support feet   | □ |
| Truck coupling   | □ |
| Wear plates at the dome                                  | □ |
| Wear plates, highly wear-resistant (lateral)             | □ |
| Wear plates, plastic, highly wear-resistant              | □ |
| Wear plates front end (impact protection bars)           | □ |

– Not available □ Option ■ Standard

Special applications

- Sand and aggregate



### Made for working

- Air valve fitting, instruments and important indicators are all within view and easy to reach
- Robust main switch (on/off, EMERGENCY STOP, pressure gauge) not covered to provide easier access
- „Made in Germany“ durability and quality guarantees a high resale value



### User-friendly cooling system

- Innovative user-friendly exhaust air system and additional exhaust air shaft
- Effective cooling of interior, compressor and engine reduces heat build-up



### Powerful drive unit

- Automatic engine speed control for greater economy and resistance to wear
- Even pumping characteristics that reduce stress on the machine
- Constant material flow and fewer impacts in the hose lines



### Modern, practical design

- Strong canopy shape and design for better value retention
- Reinforced, hot-dip galvanised hopper for greater robustness and durability
- Optimised maintenance and service features due to improved accessibility
- Hydraulically powered loader and scraper with radio remote control with emergency switch on/off.



| Technical data          | M 740 D   | M 740 DB                     | M 740 DBS                         |
|-------------------------|---|------------------------------|-----------------------------------|
| Part no.                | 111 645.1XX   | 111 642.2XX                  | 111 645.3XX                       |
| Mixing vessel           | 260 l, 200 l useful capacity  | 260 l, 200 l useful capacity | 260 l, 200 l useful capacity      |
| Delivery rate (theor.)* | 3.8 m <sup>3</sup> /h   | 4.6 m <sup>3</sup> /h        | 5 m <sup>3</sup> /h               |
| Delivery pressure       | 8 bar   | 8 bar                        | 8 bar                             |
| Delivery range*         | 180 m horizontal / 90 m vertical (30 storeys)                           |                              |                                   |
| Compressor              | 4.35 m <sup>3</sup> /min; cut-off pressure 8 bar                        |                              |                                   |
| Engine                  | 3-cylinder Deutz diesel; 33.5 kW at 2,500 rpm (emission category III A) |                              |                                   |
| Weight (fully fuelled)  | 1,542 kg  | 1,740 kg                     | 1,814 kg                          |
| Tank capacity           | 60 l  | 60 l                         | 60 l                              |
| Length × width × height | 4,780 × 1,480 × 1,520 mm  | 5,075 × 1,480 × 2,431 mm     | 5,075 × 1,480 × 2,431 mm          |
| Filling height          | 820 mm  | 400 mm                       | 400 mm                            |
| Maximum particle size   | 16 mm   | 16 mm                        | 16 mm                             |
| Chassis                 | braked, with autom. brake adjustment approved for speeds up to 80 km/h  |                              |                                   |
| Special feature         | Basic version   | with hydraulic feeder        | with hydraulic feeder and scraper |

\* The data is based on experience and depends on the materials used.

- Cement screed
- Calcium sulphate screed (anhydrite)
- Magnesia screed



## Mixokret M 760 (Export version)

Maximum engine power for challenging tasks



### Equipment standard / option:

| Equipment standard / option:                           | M 760 |
|--|-------|
| Autom. brake adjustment                                | ■     |
| Car coupling   | ■     |
| Central lubrication system                             | ■     |
| Discharge stand  | ■     |
| Grease pump for lubrication system                     | ■     |
| Instruction manual and spare parts list                | ■     |
| Lever press with hose                                  | ■     |
| Lifting eye  | ■     |
| Reservoir gauge in control panel                       | ■     |
| Working lights   | ■     |
| Conversion to 100 km/h                                 | □     |
| High- pressure cleaner                                 | □     |
| Light holder 24 V                                      | □     |
| Location system  | □     |
| Mixing time adjustment                                 | □     |
| Protective plate for feeder                            | □     |
| Special canopy paint in RAL colours/Customer labelling | □     |
| Support feet   | □     |
| Truck coupling   | □     |
| Wear plates at the dome                                | □     |
| Wear plates, highly wear-resistant (lateral)           | □     |
| Wear plates, plastic, highly wear-resistant            | □     |
| Wear plates front end (impact protection bars)         | □     |

– Not available □ Option ■ Standard

- Sand and aggregate



### Maximum engine power

- Oil-cooled 4-cylinder Deutz diesel engine with an efficient compressor for maximum pump output, and enough reserve power for more challenging jobs
- Optimised compressor for even pumping characteristics, constant material flow and reduced impacts in the hose lines
- Flexible, low-maintenance hydraulic mixer drive



### Practical clearly laid out controls

- Air valve fitting, instruments and important indicators are all within view and easy to reach
- Robust main switch (on/off, EMERGENCY STOP, pressure gauge) not covered to provide easier access
- Other instruments and displays protected safely under cover



### Effective cooling system

- Innovative exhaust air system and additional exhaust air shaft for improved cooling capacity and greater user-friendliness
- Effective cooling of interior, compressor and engine reduces heat build-up



### Modern, practical design

- Stronger canopy shape and design for better value retention
- Reinforced, hot-dip galvanised hopper for greater robustness and durability
- Optimised maintenance and service features due to good accessibility
- Hydraulic loader and scraper with improved radio control unit



| Technical data          | M 760 DH   | M 760 DHB                    | M 760 DHBS                        |
|-------------------------|--|------------------------------|-----------------------------------|
| Part no.                | 111 646.1XX  | 111 646.2XX                  | 111 646.3XX                       |
| Mixing vessel           | 260 l, 200 l useful capacity   | 260 l, 200 l useful capacity | 260 l, 200 l useful capacity      |
| Delivery rate (theor.)* | 4 m <sup>3</sup> /h  | 4.8 m <sup>3</sup> /h        | 5 m <sup>3</sup> /h               |
| Delivery pressure       | 8 bar  | 8 bar                        | 8 bar                             |
| Delivery range*         | 200 m horizontal / 150 m vertical (50 storeys)                         |                              |                                   |
| Compressor              | 5.0 m <sup>3</sup> /min; cut-off pressure 8 bar                        |                              |                                   |
| Engine                  | 4-cylinder Deutz diesel; 46 kW at 2,600 rpm (not available in the EU)  |                              |                                   |
| Weight (fully fuelled)  | 1,720 kg   | 1,826 kg                     | 1,900 kg                          |
| Tank capacity           | 60 l   | 60 l                         | 60 l                              |
| Length × width × height | 4,780 × 1,480 × 1,520 mm   | 5,075 × 1,480 × 2,431 mm     | 5,075 × 1,480 × 2,431 mm          |
| Filling height          | 820 mm   | 400 mm                       | 400 mm                            |
| Maximum particle size   | 16 mm  | 16 mm                        | 16 mm                             |
| Chassis                 | braked, with autom. brake adjustment approved for speeds up to 80 km/h |                              |                                   |
| Special feature         | Basic version  | with hydraulic feeder        | with hydraulic feeder and scraper |

\* The data is based on experience and depends on the materials used.

Semi-dry floor screed

- Cement screed
- Calcium sulphate screed (anhydrite)
- Magnesia screed



# Mixokret M 760 3 B

Environmentally friendly power unit



**Hydraulic feeder**  
with 26 l volume

**Scaper** to fill easily

**Operating panel**  
protected innovative display with notice of „troubleshooting“ and „servicing“

**Innovative exhaust air routing**  
and additional exhaust duct for improved cooling performance and more user-friendliness

**Environmentally-friendly 4 cyl.**  
engine for maximum power with common-rail-technology and integrated particle filter (emission stage 3B)

**Chassis**  
with automatic brake adjustment

| Equipment standard / option:                           | M 760 3B |
|--|----------|
| Automatic brake adjustment                             | ■        |
| Car coupling   | ■        |
| Central lubrication system                             | ■        |
| Discharge stand  | ■        |
| Grease pump for lubrication system                     | ■        |
| Instruction manual and spare parts list                | ■        |
| Lever Press with hose                                  | ■        |
| Lifting eye  | ■        |
| Reservoir gauge in control panel                       | ■        |
| Working lights   | ■        |
| Auto-Power-Off   | □        |
| Conversion to 100 km/h                                 | □        |
| High-pressure cleaner                                  | □        |
| Light holder 24 V                                      | □        |
| Location system  | □        |
| Mixing time adjustment                                 | □        |
| Performance management                                 | □        |
| Protective plate for feeder                            | □        |
| Special canopy paint in RAL colours/Customer labelling | □        |
| Support feet   | □        |
| Truck coupling   | □        |
| Wear plates at the dome                                | □        |
| Wear plates, highly wear-resistant (lateral)           | □        |
| Wear plates, plastic, highly wear-resistant            | □        |
| Wear plates front end (impact protection bars)         | □        |

– Not available □ Option ■ Standard

Special applications

- Sand and aggregate



### Maximum engine power

- Environmentally friendly operation with increased performance according to the water-cooled 48.5 kW diesel engine with modern common-rail-technology and an integrated diesel particle filter
- Optimised compressor for even pumping characteristics, constant material flow and reduced impacts in the hose lines
- Flexible, low-maintenance hydraulic mixer drive



### New operating concept

- New operating keypad to the principle „follow the blue light“, the operator will be navigated through the several functions
- Robust main switch (on/off, EMERGENCY STOP, pressure gauge) not covered to provide easier access
- Other instruments and displays protected safely under cover



### Effective cooling system

- Innovative exhaust air system and additional exhaust air shaft for improved cooling capacity and greater user-friendliness
- Effective cooling of interior, compressor and engine reduces heat build-up



### Modern, practical design

- More safety - due to the automatic brake adjustment, manual adjustment of the brakes is no more necessary
- Reinforced, hot-dip galvanised hopper for greater robustness and durability
- Optimised maintenance and service features due to good accessibility
- To save fuel on small construction sites it is possible to reduce the performance of the compressor unit (performance management optional)



| Technical data          | M 760 DH 3 B  | M 760 DHB 3 B                | M 760 DHBS 3 B                    |
|-------------------------|---|------------------------------|-----------------------------------|
| Part no.                | 111 643.1XX   | 111 643.2XX                  | 111 643.3XX                       |
| Mixing vessel           | 260 l, 200 l useful capacity  | 260 l, 200 l useful capacity | 260 l, 200 l useful capacity      |
| Delivery rate (theor.)* | 4 m <sup>3</sup> /h   | 4.8 m <sup>3</sup> /h        | 5 m <sup>3</sup> /h               |
| Delivery pressure       | 8 bar   | 8 bar                        | 8 bar                             |
| Delivery range*         | 200 m horizontal / 150 m vertical (50 storeys)                          |                              |                                   |
| Compressor              | 5.0 m <sup>3</sup> /min; cut-off pressure 8 bar                         |                              |                                   |
| Engine                  | 4-cylinder diesel, water-cooled 48.5 kW at 2700 rpm (emission stage 3B) |                              |                                   |
| Weight (fully fuelled)  | 1,720 kg  | 1,826 kg                     | 1,900 kg                          |
| Tank capacity           | ca. 70 l  | ca. 70 l                     | ca. 70 l                          |
| Length × width × height | 4,780 × 1,480 × 1,520 mm  | 5,075 × 1,480 × 2,431 mm     | 5,075 × 1,480 × 2,431 mm          |
| Filling height          | 820 mm  | 400 mm                       | 400 mm                            |
| Maximum particle size   | 16 mm   | 16 mm                        | 16 mm                             |
| Chassis                 | braked, with autom. brake adjustment approved for speeds up to 80 km/h  |                              |                                   |
| Special feature         | Basic version   | with hydraulic feeder        | with hydraulic feeder and scraper |

\* The data is based on experience and depends on the materials used.

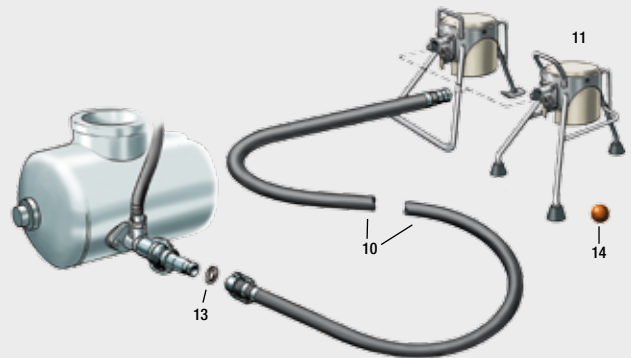
# Mixokret accessories

Standard delivery line for Mixokret PM 50/ID 50 mm (max. grain size 8 mm\*)



**Complete set, part no. 533 089**  
**≈ 40 m long, consisting of:**

| Part  | Part no.    | Fig. |
|---|-------------|------|
| 2× ID 50 mm hose, 10 bar, 20 m length           | 501 915     | 10   |
| 1× Discharge stand, 3 legs, aluminium ID 50     | 529 743     | 11   |
| 2× O-ring                                       | 010 207.000 | 13   |
| 6× Sponge ball, Ø 60 mm for delivery hose ID 50 | 000 212.005 | 14   |
| 1× Reducer piece ID 65, KKV 70 / ID 50          | 071 790.006 |      |
| 2× Rectangular gasket                           | 213 266.000 |      |

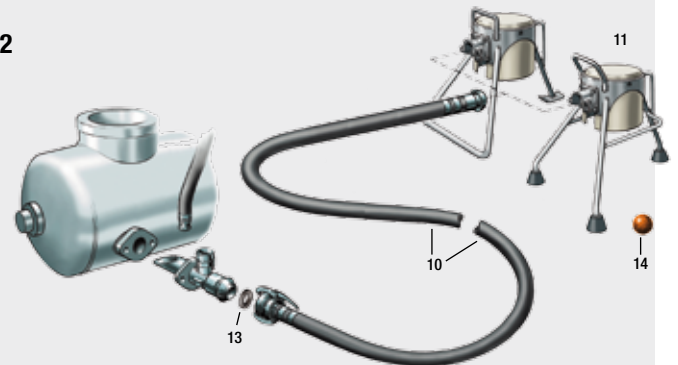


Delivery line KK 70 for Mixokret ID 65 mm (grain size of up to 12 mm\*)



**Complete set, part no. 533 092**  
**≈ 80 m long, consisting of:**

| Part  | Part no.    | Fig. |
|---|-------------|------|
| 8× ID 65 mm KK 70 hose, 10 bar, 10 m length     | 456 831     | 10   |
| 1× Discharge stand, 3 legs, aluminium KK 70     | 529 744     | 11   |
| 8× O-ring                                       | 010 207.000 | 13   |
| 8× Sponge ball, Ø 80 mm for delivery hose ID 65 | 000 246.000 | 14   |

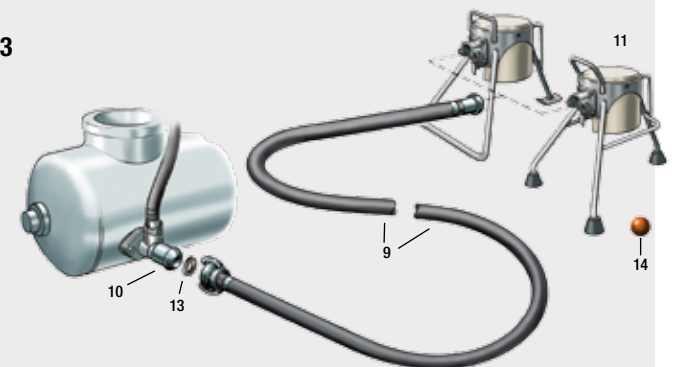


Delivery line KK 89 for Mixokret ID 65 mm (grain size of up to 12 mm\*)



**Complete set, part no. 533 093**  
**≈ 80 m long, consisting of:**

| Part  | Part no.    | Fig. |
|---|-------------|------|
| 8× ID 65, KK 89 / HR hose, 10 bar, 10 m length  | 443 675     | 9    |
| 1× KKV 89 coupling                              | 209 205.004 | 10   |
| 1× Discharge stand, 3 legs, aluminium KK 89     | 529 745     | 11   |
| 8× O-ring                                       | 002 224.004 | 13   |
| 8× Sponge ball, Ø 80 mm for delivery hose ID 65 | 000 246.000 | 14   |



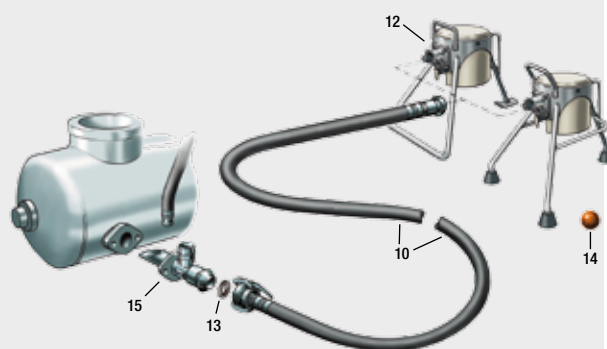


Delivery line KK 89 for Mixokret ID 90 mm (grain size of up to 16 mm\*)



**Complete set, part no. 533 095**  
**≈ 80 m long, consisting of:**

| Part  | Part no.    | Fig. |
|---|-------------|------|
| 8× ID 90 mm KK 89 hose, 10 bar,<br>10 m length      | 455 436     | 10   |
| 1× Discharge stand, with runner, steel KK 89        | 529 748     | 12   |
| 8× O-ring   | 002 224.004 | 13   |
| 8× Sponge ball, Ø 120 mm<br>for delivery hose ID 90 | 016 091.003 | 14   |
| 1× Special outlet cpl. ID 90, KKV 89                | 073 640.002 | 15   |

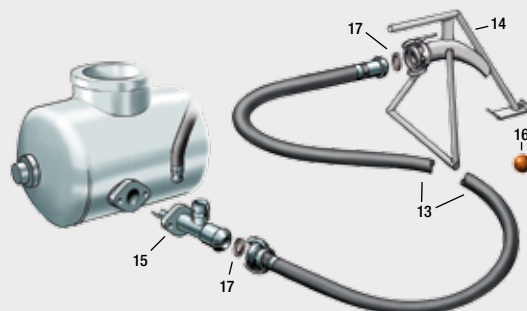


Delivery line KK 108 for Mixokret ID 90 mm (grain size of < 32 mm\*)



**Complete set, part no. 533 096**  
**≈ 80 m long, consisting of:**

| Part  | Part no.    | Fig. |
|---|-------------|------|
| 8× ID 90 mm KK 108 hose, 10 bar,<br>10 m length     | 454 406     | 13   |
| 1× Discharge stand, with runner, steel KK 108       | 209 811.003 | 14   |
| 1× Special outlet cpl. ID 90,<br>KKV 108            | 419 634     | 15   |
| 8× Sponge ball, Ø 120 mm<br>for delivery hose ID 90 | 016 091.003 | 16   |
| 8× O-ring   | 210 580.006 | 17   |



\* Depending on the material to be conveyed.



## S 5 EF

The compact, electric liquid screed pump

**Vibrator with vibrating screen**  
for constant material flow

Self levelling floor screed

- Cement floor screed
- Calcium sulphate screed (anhydrite)



**Large hopper**

for greates amount of material, easy to clean



**Well-protected drive**

**Cardan shaft plugged**

for quick change of worm parts

### Equipment standard / option:

S 5 EF

Adapter V 50-M35

■

Cleaning tool

■

Grease cartidge

■

Instruction manual and spare parts list

■

Seal ring for mortar coupling

■

Standard colour paintwork

■

Standard tool

■

Vibrating screen

■

Cable remote control 20 m

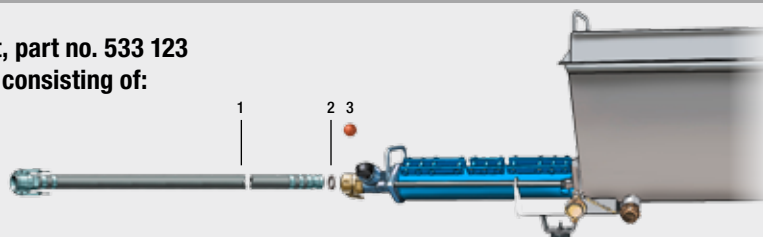
□

– Not available □ Option ■ Standard

### Accessories for processing self levelling floor screed with S 5 EF

**Complete set, part no. 533 123**

≈ 40 m long, consisting of:



| Part                                      | Part no.    | Fig. | Optional accessories                   | Part no.    |
|---|-------------|------|--|-------------|
| 3× Delivery hose ID 50, V 50, M 50 13.3 m | 501 914     | 1    | 1× PM grout, 18 l storage tank, 25 pcs | 266 743.004 |
| 5× Sponge ball ID 50                      | 000 212.005 | 3    |  |             |
| 5× Sealing ring ID 50                     | 213 266.000 | 2    |  |             |



### Worm pump with powerful 7.5 kW drive

- Electrically powered auger pump with powerful constant drive
- Ideal for larger quantities of material, like when conveying self levelling floor screed



### Robust and economical

- Frame and hopper manufactured from robust steel components
- Hinged grille provides ample access for maintenance and cleaning
- Slide-on cardan shaft allows the quick replacement of auger components without using tools
- Site chassis with pneumatic tyres



### User-friendly concept

- Easily detachable vibrating screen prevents foreign objects or material with an excessive grain size from entering the pump
- Central position of all control elements and control cabinet with 32 A connection



### Equipment for conveying self levelling floor screed is provided on board

- Machine operated from the installation location using cable remote control supplied as standard
- Large 130 l hopper for rapid filling from truck mixer
- Vibrator ensures a continuous supply of material
- Mixing spirals on the cardan shaft increase the homogeneity of the conveyed material



### Technical data

### S 5 EF

|                         |                                |
|-------------------------|--------------------------------|
| Part no.                | 111 635.090                    |
| Hopper volume           | 130 l                          |
| Pump                    | Worm pump 2L74                 |
| Delivery rate (theor.)* | 90 l/min.                      |
| Delivery pressure       | 25 bar                         |
| Delivery range**        | 60 m horizontal, 40 m vertical |
| Engine                  | 7.5 kW, 400 V / 50 Hz          |
| Weight                  | 260 kg                         |
| Length × width × height | 2,610 × 680 × 770 mm           |
| Filling height          | 770 mm                         |
| Maximum particle size   | 8 mm                           |
| Pressure connection     | M 50                           |

\* The delivery rate depends on the pump model, and can vary in accordance with the pump used.

\*\* The data is based on experience and depends on the materials used.



Self levelling floor screed

- Calcium sulphate screed (anhydrite)
- Cement floor screed



## SP 11 THF

Convenient, economical placement of self levelling floor screed



| Equipment standard / option:                       | SP 11 THF ECO | SP 11 THF Comfort |
|--|---------------|-------------------|
| Car cable adapter                                  | ■             | ■                 |
| Car coupling                                       | ■             | ■                 |
| Cleaning tool                                      | ■             | ■                 |
| Cover grille MW 15                                 | ■             | ■                 |
| Grease cartridge                                   | ■             | ■                 |
| High-pressure cleaner                              | ■             | ■                 |
| Instruction manual and spare parts list            | ■             | ■                 |
| Lever press with hose                              | ■             | ■                 |
| Seal ring for mortar coupling                      | ■             | ■                 |
| Standard colour paintwork                          | ■             | ■                 |
| Standard tool                                      | ■             | ■                 |
| Vibrator   | ■             | ■                 |
| Cable remote control                               | □             | □                 |
| Radio remote control                               | □             | □                 |
| Radio remote control with adjustable delivery rate | □             | ■                 |
| Screen grille MW 10                                | □             | □                 |
| Special canopy paint in RAL colours                | □             | □                 |
| Support wheel                                      | □             | □                 |
| Truck coupling                                     | □             | □                 |
| Working lights                                     | □             | □                 |

– Not available □ Option ■ Standard

See page 48 in the catalogue for a list of suggested accessories.

### Specialist for liquid screed applications

- Continuous, convenient processing of self levelling floor screed
- Infinitely adjustable delivery rate using hydraulic pump control
- Weighs less than 750 kg on an unbraked chassis for simple transportation



### Powerful diesel engine

- Extremely reliable 4-cylinder engine, economical and quiet due to low speed
- High delivery rate of up to 15 m<sup>3</sup>/h
- Independent of power supply



### Large hopper for efficient working progress

- Optimised grille and enhanced vibrator prevent foreign bodies or material with an excessive grain size from entering the pump, and guarantee a continuous material flow even when conveying screeds containing plastic or metal fibres
- Ideal for loading from a truck mixer for self levelling screed applications
- Infinitely adjustable delivery rate



### User-friendly concept

- Good accessibility and integrated high-pressure cleaner for easy servicing, maintenance and cleaning
- Modern easy-care design, in particular the hard-wearing plastic canopy
- Large toolbox (100 l) for spray lance, tool, spare parts, water hose, etc.



| Technical data          | SP 11 THF                                      |
|-------------------------|--|
| Part no.                | 111 626.600                                    |
| Hopper volume           | 220 l  |
| Pump                    | Worm pump 2L75                                 |
| Delivery rate (theor.)* | 0-15 m <sup>3</sup> /h (250 l/min)             |
| Delivery pressure       | 20 bar   |
| Delivery range**        | 100 m horizontal, 60 m vertical                |
| Engine                  | 4-cylinder Kubota diesel; 22.7 kW at 2,600 rpm |
| Weight (fully fuelled)  | under 750 kg                                   |
| Length × width × height | 3,260 × 1,420 × 1,160 mm                       |
| Filling height          | 1,000 mm                                       |
| Maximum particle size   | 8 mm   |
| Chassis                 | unbraked, suitable for road use                |

\* The delivery rate depends on the pump model, and can vary in accordance with the pump used.

\*\* The data is based on experience and depends on the materials used.





## SP 20 THF

Turbomachine for large self-levelling floor tasks

Self levelling floor screed

- Calcium sulphate screed (anhydrite)
- Cement floor screed



Large tool box

Adjustable delivery rate

### Equipment standard / option:

### SP 20 THF

|  |   |
|--|---|
| Car cable adapter                                  | ■ |
| Car coupling                                       | ■ |
| Cleaning tool                                      | ■ |
| Cover grille MW 10                                 | ■ |
| Grease cartridge                                   | ■ |
| Instruction manual and spare parts list            | ■ |
| Lever press with hose                              | ■ |
| Radio remote control with adjustable delivery rate | ■ |
| Standard colour paintwork                          | ■ |
| Support wheel                                      | ■ |
| Vibrator   | ■ |
| Battery charger, integrated                        | □ |
| Chassis, braked                                    | □ |
| High-pressure cleaner                              | □ |
| Screen grille MW 15                                | □ |
| Special canopy paint in RAL colours                | □ |
| Truck coupling                                     | □ |

– Not available □ Option ■ Standard

See page 48 in the catalogue for a list of suggested accessories.

### Specialist for liquid screed applications

- Continuous, comfortable processing of liquid screeds
- Adjustable delivery rate using control panel and radio remote control



### Powerful diesel engine

- Extremely reliable 4-cylinder engine, turbo for extra power
- High delivery rate of up to 20 m<sup>3</sup>/h
- Independent of power supply



### Designed especially for construction sites

- Ideal for loading from a truck mixer for self levelling screed applications
- Protection grid facilitates the passage of fibers
- Light and very well balanced machine
- Extended equipment such as, storage box or built-in battery charger integrated



### User-friendly concept

- Good accessibility and integrated high-pressure cleaner for easy servicing, maintenance and cleaning
- Modern easy-care design, in particular the hard-wearing plastic canopy
- Simple and intuitive control panel



| Technical data          | SP 20 THF                                   |
|-------------------------|---|
| Part no.                | 111 657.XXX                                 |
| Hopper volume           | 220 l                                       |
| Pump                    | Worm pump 7515                              |
| Delivery rate (theor.)* | 20 m <sup>3</sup> /h                        |
| Delivery pressure       | 20 bar                                      |
| Delivery range**        | up to 200 m horizontal                      |
| Engine                  | 4-cylinder Kubota diesel; 33 kW at 3000 rpm |
| Weight                  | 750 kg                                      |
| Length × width × height | 3,317 mm × 1,530 × 1,180 mm                 |
| Filling height          | 1,180 mm                                    |
| Maximum particle size   | 12 mm                                       |
| Chassis                 | unbraked, suitable for road use             |

\* The delivery rate depends on the pump model, and can vary in accordance with the pump used.

\*\* The data is based on experience and depends on the materials used.



# MP 20 EV

Compact, powerful and versatile



- Dry mortar for interior or exterior applications
- Gypsum plaster
- Primers
- Levelling compounds
- Soft and liquid materials

Plaster/Fine plaster



- Wet mortar
- Cementitious adhesive
- ETICS products
- High mixing quality for joint and frame sealant

Special applications

| Equipment standard / option:            | MP 20 EV |
|---|----------|
| Air and mortar hose                     | ■        |
| Bag opener                              | ■        |
| Cleaning tool                           | ■        |
| Compressor                              | ■        |
| Discharge pressure gauge on pump outlet | ■        |
| Instruction manual and spare parts list | ■        |
| Pneumatic remote control                | ■        |
| Spray gun                               | ■        |
| Vibrator                                | ■        |
| Water pump                              | ■        |

– Not available   □ Option   ■ Standard



### Fully-fledged mini mixing pump for alternating current

- Compact, powerful electric motor with 230 V
- Water pump for a constant, adequate water pressure
- Especially suitable for small construction sites or for jobs on several floors



### Modern, practical design

- Large hopper with hinged grille and bag opener
- Integral machine vibrator for minimal material losses and a continuous material flow
- Integrated theft protection due to detachable switch box



### Convenient operation

- Delivery pump mode with infinitely adjustable delivery rate
- Clear layout of the operating panel
- Dismantles into 4 parts
- Easy to clean
- Easy to transport



### Comprehensive range of standard equipment

- Compressor (180 l/ min)
- Air (16 m) and mortar hose (10 m)
- Spray gun



| Technical data             | MP 20 EV                               |
|----------------------------|--|
| Part no.                   | 111 667.000                            |
| Hopper volume              | 75 l                                   |
| Delivery rate (theor.)*    | 2-12 l/min                             |
| Delivery pressure          | Max. 30 bar                            |
| Delivery range**           | 25 m horizontal, 10 m vertical         |
| Fuse                       | 16 A                                   |
| Water pump                 | 2.4 m <sup>3</sup> /h, 0.5 kW          |
| Compressor                 | 180 l/min, 0.52 kW                     |
| Pump                       | D5 - 2,5 ECO                           |
| Engine                     | 3.0 kW, 230 V / 1 / PE / 50 Hz / 60 Hz |
| Weight, total <sup>1</sup> | 153 kg                                 |
| Length × width × height    | 1,500 × 600 × 1,200 mm                 |
| Filling height             | 1,040 mm                               |
| Maximum particle size      | 3 mm                                   |

\* The delivery rate depends on the pump model, and can vary in accordance with the pump used.

\*\* The data is based on experience and depends on the materials used.

<sup>1</sup> Unit weights: Control 45 kg, mixing unit 49 kg, drive unit 45 kg, compressor 14 kg



## MP 25 Mixit

Maximum efficiency for processing premixed dry mortar. Ready for immediate use as a complete set of accessories is included

Self levelling floor screed

- Self levelling compound
- Calcium sulphate screed



Plaster/Fine plaster

- Exterior plaster (lime, lime cement and insulating plaster)
- Interior plaster (gypsum/gypsum-lime plaster)



**Conical mixing pipe**  
for optimum material flow

**Large vessel**  
with bag opener

**Water pump**  
built in for constant water flow

**Compressor with pressure cut-off**  
to work more safe

**Worm parts easy to change**  
according to each application

| Equipment standard / option:             | MP 25 MIXIT<br>3 × 400 V 50 HZ | MP 25 MIXIT<br>Export-Version |
|--|--------------------------------|-------------------------------|
| Air hose ½" Geka                         | ■                              | ■                             |
| Cleaning tool                            | ■                              | ■                             |
| Compressor                               | ■                              | ■                             |
| Hose adapter                             | ■                              | ■                             |
| Instruction manual with spare parts list | ■                              | ■                             |
| Mortar hose                              | ■                              | ■                             |
| Spray gun                                | ■                              | ■                             |
| Standard colour paintwork                | ■                              | ■                             |
| Water pump, self-priming                 | ■                              | ■                             |
| ID 25 accessories                        | ■                              | □                             |
| ID 35 accessories                        | □                              | ■                             |
| Suction hose with filter                 | □                              | ■                             |
| Air injection hood                       | □                              | □                             |
| Cable remote control + extension         | □                              | □                             |
| Insulating plaster attachment            | □                              | □                             |
| Spacer plates                            | □                              | □                             |

– Not available □ Option ■ Standard

Special applications

- Self levelling compound
- ETICS

### Large vessel (115 l)

- Saves time because less material has to be refilled
- Less cleaning required
- Convenient to fill



### Conical mixing pipe

- Conical mixing pipe for optimised material flow, fewer blockages, easy to clean
- Mixing pipe separated from mixing tank to allow easier dosage
- Integrated water pressure booster pump provides the necessary water pressure and quantity to achieve the right mixing quality



### Convenient design

- Can be dismantled into manageable sections without using tools and then transported easily
- Easy access to the flow meter
- Wedge closing devices that secure the stator eliminate the need for special tools to perform maintenance work and replace components



### Added value for the construction site

- Integrated compressor with automatic pressure cut-out guarantees a safer working environment
- Convenient adjustment of water dosage quantity
- Pneumatic remote control for convenient operation from your working area
- Extensive range of accessories for special customer-specific applications



| Technical data          | MP 25 MIXIT 3 × 400 V 50 HZ           | MP 25 MIXIT – Export version         |
|-------------------------|---------------------------------------|--------------------------------------|
| Part no.                | 111 417.300                           | 111 417.310                          |
| Mixing vessel           | 115 l                                 | 115 l                                |
| Delivery rate (theor.)* | 25 l / min                            | 40 l/min                             |
| Delivery pressure       | 40 bar                                | 20 bar                               |
| Delivery range**        | 40 m horizontal, 15 m vertical        | 30 m horizontal, 15 m vertical       |
| Air compressor          | 0.55 kW, 200 l/min                    | 0.55 kW, 200 l/min                   |
| Pump                    | Worm pump D6 Power                    | Worm pump D5 short                   |
| Engine                  | 400 V / 50 Hz / 5.5 kW at 392 rpm     | 400 V / 50 Hz / 5.5 kW at 392 rpm    |
| Drum drive              | 1.1 kW at 23 rpm                      | 1.1 kW at 23 rpm                     |
| Water pump              | 0.78 kW at 3.4 m <sup>3</sup> /m      | 0.78 kW at 3.4 m <sup>3</sup> /m     |
| Weight                  | 240 kg                                | 240 kg                               |
| Length × width × height | 1,324 × 728 × 1,443 mm                | 1,324 × 728 × 1,443 mm               |
| Filling height          | 984 mm                                | 984 mm                               |
| Pressure connection     | M35 / V 25–40                         | M35 / V 25–40                        |
| Maximum particle size   | 4 mm                                  | 4 mm                                 |
| Special feature         | Hose ID 25 for high-quality materials | Hose ID 35 for low-quality materials |

### Special voltages are available on request.

\* The delivery rate depends on the pump model, and can vary in accordance with the pump used.

\*\* The data is based on experience and depends on the materials used.



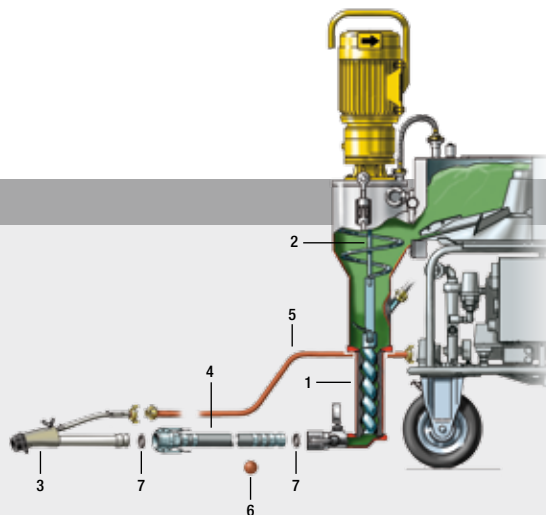
# Accessories MP 25

Accessories for processing premixed dry mortar (impressive power of 40 l/min)



**Complete set, part no. 533 072**  
 ≈ 30 m long, consisting of:

| Part   | Part no.           | Fig.   |
|--|--------------------|--------|
| 1× Pump parts<br>- Screw conveyor D8-2<br>- Screw conveyor barrel D8-2 | 435 743<br>436 746 | 1<br>1 |
| 1× Universal mixer shaft MP 25   | 211 773.003        | 2      |
| 1× Spray gun, short and straight, V 35                                 | 203 054.002        | 3      |
| 2× Mortar hose ID 35, 13.3 m long                                      | 207 615.007        | 4      |
| 2× Air hose, ½", 20 m  | 001 665.004        | 5      |



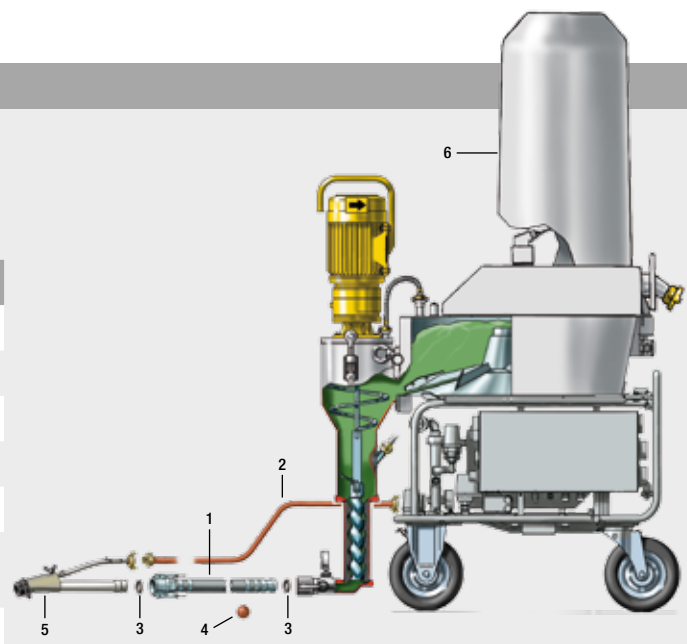
| Part                    | Part no.    | Fig. |
|-------------------------|-------------|------|
| 10× Sponge ball Ø 45 mm | 065 044.001 | 6    |
| 10× Seal ID 35          | 213 725.004 | 7    |
| 3× Hose holder, leather | 000 206.008 |      |

Accessories for the processing of premixed dry mortar from a silo



**Complete set, part no. 533 078**  
 ≈ 30 m long, consisting of:

| Part   | Part no.    | Abb. |
|--|-------------|------|
| 2× Mortar hose ID 35, 13.3 m long                            | 207 615.007 | 1    |
| 2× Air hose, ½", 20 m  | 001 665.004 | 2    |
| 10× Seal ID 35   | 213 725.004 | 3    |
| 10× Sponge ball Ø 45 mm                                      | 065 044.001 | 4    |
| 1× Spray gun, short and straight V 35                        | 203 054.002 | 5    |
| 1× Feed hood with remote control cable<br>Probe, rectangular | 212 324.008 | 6    |
| 3× Hose holder, leather                                      | 000 206.008 |      |

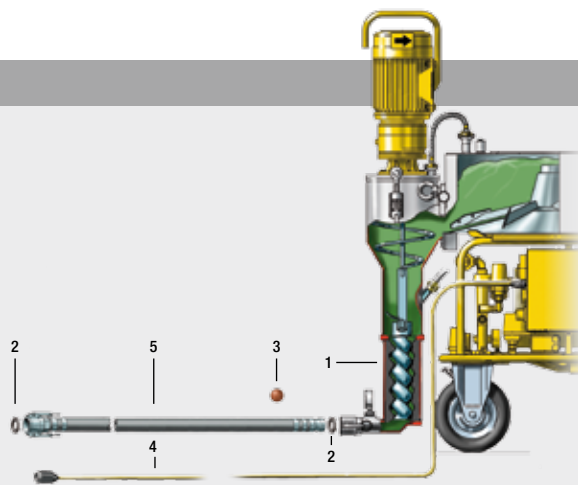


Accessories for processing self levelling floor screed



**For a delivery range of 40 m,  
 you will require:**

| Part   | Part no.           | Fig.   |
|--|--------------------|--------|
| 1× Pump parts<br>- Screw conveyor D8-2<br>- Screw conveyor barrel D8-2 | 435 743<br>436 746 | 1<br>1 |
| 10× Seal ID 35   | 213 725.004        | 2      |
| 10× Sponge ball Ø 45 mm  | 065 044.001        | 3      |
| 1× Electric remote control with on/off<br>switch, 60 m long            | 269 447.006        | 4      |
| 3× Mortar hose ID 35, 13.3 m long                                      | 207 615.007        | 5      |



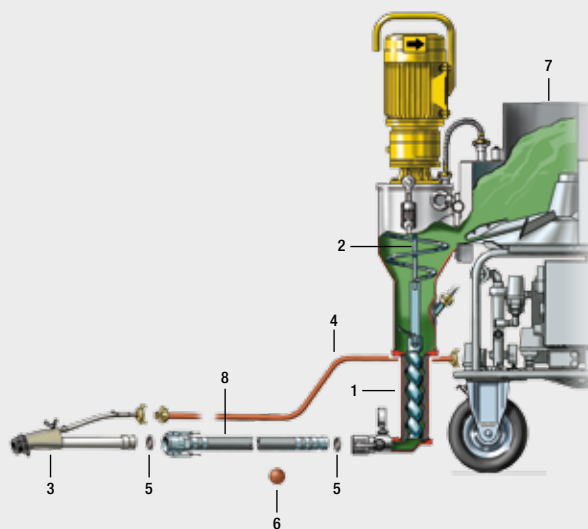
| Optional accessories                   | Part no.    | Fig. |
|--|-------------|------|
| 1× PM grout, 18 l storage tank, 25 pcs | 266 743.004 |      |

### Accessories for processing insulating plaster (impressive power of 40 l/min)



**Complete set, part no. 533 074**  
**≈ 40 m long, consisting of:**

| Part  | Part no.    | Fig. |
|---|-------------|------|
| 1× Pump parts<br>- Screw conveyor D8-2            | 435 743     | 1    |
| - Screw conveyor barrel D8-2                      | 436 746     | 1    |
| 1× Mixer shaft for insulating plaster MP 25       | 212 262.005 | 2    |
| 1× Spray gun, with shut-off valve ID 35           | 209 174.009 | 3    |
| 3× Mortar hose ID 35, 13.3 m                      | 207 615.007 | 8    |
| 2× Air hose, ½", 20 m                             | 001 665.004 | 4    |
| 10× Sponge ball Ø 45 mm                           | 065 044.001 | 6    |
| 10× Seal ID 35                                    | 213 725.004 | 5    |
| 3× Hose holder, leather                           | 000 206.008 |      |
| 1× Attachment collar for insulating plaster MP 25 | 212 325 007 | 7    |

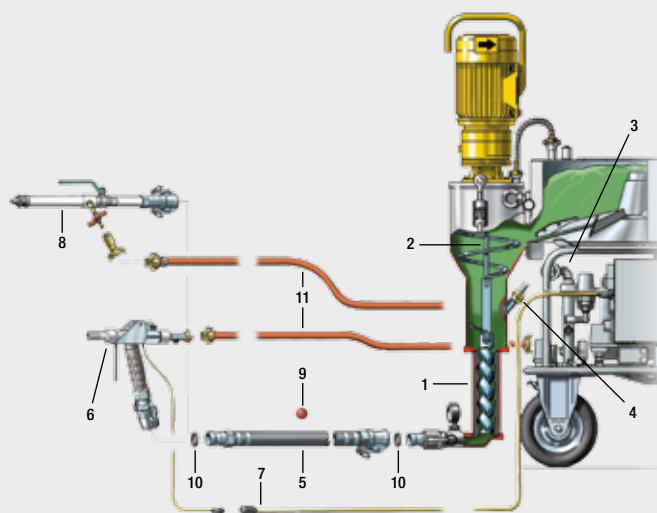


### Accessories for processing cementitious adhesive, reinforcement mortar, structural plaster (low performance 12 or 6 l/min)



**Complete set, part no. 533 073**  
**≈ 20 m long, consisting of:**

| Part  | Part no.    | Fig. |
|---|-------------|------|
| 1× Pump parts<br>- Screw conveyor D4-½  | 214 402.009 | 1    |
| - Screw conveyor barrel D4-½  | 214 403.008 | 1    |
| 1× Cementitious adhesive mixer shaft  | 214 571.008 | 2    |
| 1× Flow meter with range of 40-400 l/min  | 208 025.007 | 3    |
| 1× Insertion nozzle, diameter of 4.5 × 55 mm                                    | 400 728     | 4    |
| 2× Mortar hose ID 25-40, 10 m   | 207 804.009 | 5    |
| 1× Large fine plaster spraying machine with PM coupling and Geka air connection | 529 733     | 8    |
| 1× Air hose, ½", 20 m   | 001 665.004 | 11   |
| 5× Sponge ball Ø 30 mm  | 000 239.004 | 9    |
| 5× Seal ID 25   | 207 764.000 | 10   |
| 3× Hose holder, leather   | 000 206.008 |      |



| Part  | Part no.    | Fig. |
|---|-------------|------|
| 1× Adhesive gun ID 17 / M 25-40 with shut-off valve and electrical connector for remote control | 408 422     | 6    |
| 1× Extension cable 20 m   | 211 506.005 | 7    |

\* Depending on the material to be conveyed.



## P 12

Mixing, pumping and spraying

Plaster/Fine plaster

- Cementitious adhesive and reinforcement mortar
- Spray plaster
- Textured plaster
- Fine plaster
- Levelling compound



Special applications

- Fire protection mortar
- Wet mortar
- ETICS
- High mixing quality for joint and frame mortar
- For injecting and anchoring with or without pressure



### Equipment standard / option:

P 12

|   |   |
|---|---|
| Cable remote control 20 m               | ■ |
| Cleaning tool                           | ■ |
| Instruction manual and spare parts list | ■ |
| Seal ring for mortar coupling           | ■ |
| Standard colour paintwork               | ■ |
| Standard tool                           | ■ |
| Water connection Geka V25-40            | ■ |
| Auxiliary compressor                    | □ |
| Pneumatic remote control                | □ |

– Not available □ Option ■ Standard



### Large hopper

- Mixing, pumping and spraying from a single material hopper
- Good accessibility and therefore easy to clean and maintain



### User-friendly design

- Lightweight, compact and therefore easy to transport
- Central control cabinet for entire electrical system is easy to access at all times
- Discharge connection with pressure gauge for connecting mortar hoses



### Convenient operation

- Two engine speed settings
- „Mix“ or „Pump“ function selected using the rotary switch
- Cable remote control for switching pump On/Off supplied as standard



### Practical accessories for a range of applications

- Optional alternative rotors and stators for adapting to the required pressure, grain size, pumping distance and rate
- Frame filling hose or device for sealing and filling openings and voids



| Technical data              | P 12                                 |
|-----------------------------|--------------------------------------|
| Part no.                    | 111 469.060                          |
| Mixing vessel               | 50 l                                 |
| Delivery rate (theor.)*     | 6-12 l/min                           |
| Delivery pressure           | 25 bar                               |
| Delivery range**            | 30 m horizontal, 15 m vertical       |
| Pump                        | Worm pump D5 short                   |
| Engine                      | 1.4 kW at 94 rpm / 1.8 kW at 188 rpm |
| Power supply (CE connector) | 400 V / 50 Hz + 60 Hz, 16 A, 5p, 6h  |
| Weight                      | 125 kg                               |
| Length × width × height     | 714 × 696 × 1,437 mm                 |
| Filling height              | 939 mm                               |
| Pressure connection         | M 35                                 |
| Maximum particle size       | 4 mm                                 |

\* The delivery rate depends on the pump model, and can vary in accordance with the pump used.

\*\* The data is based on experience and depends on the materials used.

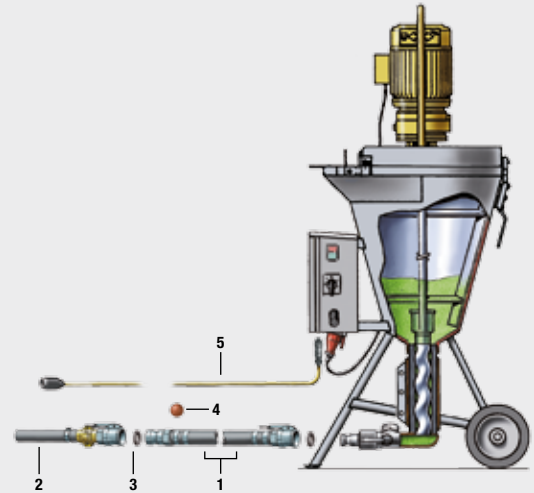
# Accessories P 12

## Accessories for filling frame connectors with fire-retardant plaster and a filling hose



**Complete set, part no. 533 080**  
 ≈ 20 m long, consisting of:

| Part   | Part no.    | Fig. |
|--|-------------|------|
| 2× Mortar hose ID 25, 10 m                         | 207 804.009 | 1    |
| 1× Frame connector filling hose, 30 cm, M25-40     | 408 373     | 2    |
| 3× Seal ID 25                                      | 207 764.000 | 3    |
| 3× Sponge ball Ø 30 mm                             | 000 239.004 | 4    |
| 1× Electric remote control with On/Off switch 20 m | 269 446.007 | 5    |
| 3× Hose holder, leather                            | 000 206.008 |      |
| <b>Optional accessories</b>                        |             |      |
| 1× PM grout, 18 l storage tank, 25 pcs             | 266 743.004 |      |

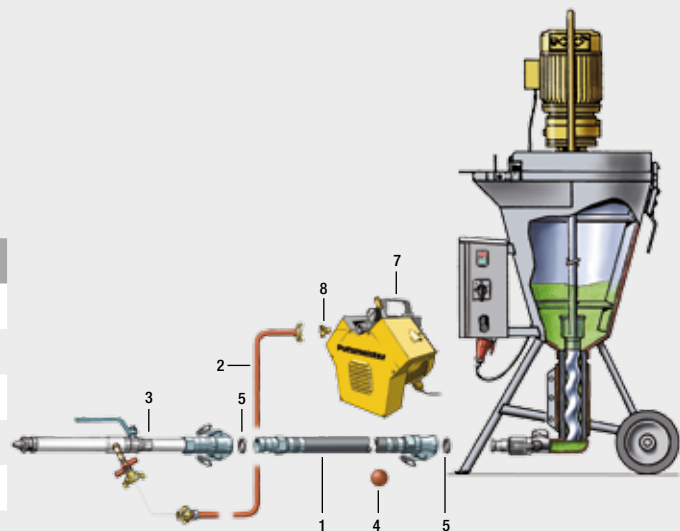


## Accessories for processing finishing coats



**Complete set, part no. 533 083**  
 ≈ 20 m long, consisting of:

| Part                                   | Part no.    | Fig. |
|--|-------------|------|
| 2× Mortar hose ID 25, 10 m             | 207 804.009 | 1    |
| 1× Air hose, 1/2", 20 m                | 001 665.004 | 2    |
| 1× Fine plaster spray gun, large       | 529 733     | 3    |
| 3× Sponge ball Ø 30 mm                 | 000 239.004 | 4    |
| 3× Seal ID 25                          | 207 764.000 | 5    |
| 1× V-Meko compressor with fuse         | 400 168     | 7    |
| 1× Geka coupling, 1/4"                 | 207 969.009 | 8    |
| 3× Hose holder, leather                | 000 206.008 |      |
| <b>Optional accessories</b>            |             |      |
| 1× PM grout, 18 l storage tank, 25 pcs | 266 743.004 |      |

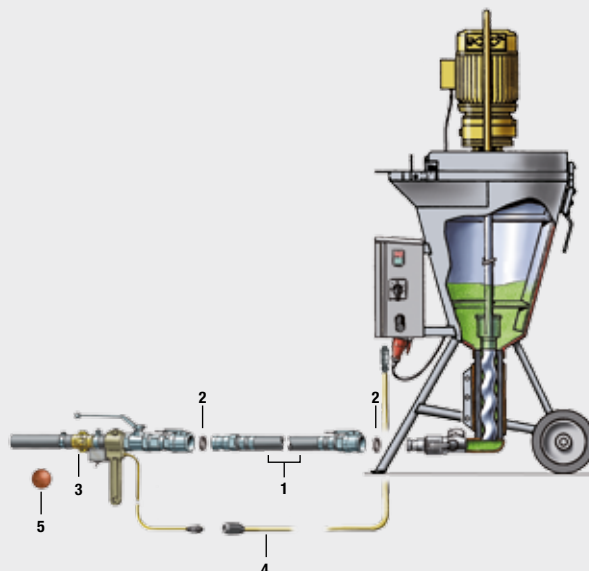


### Accessories for filling frame connectors with fire-retardant plaster and a frame filling device



**Complete set, part no. 533 081**  
**≈ 20 m long, consisting of:**

| Part  | Part no.    | Fig. |
|---|-------------|------|
| 2× Mortar hose ID 25, 10 m                            | 207 804.009 | 1    |
| 3× Seal ID 25   | 207 764.000 | 2    |
| 1× Frame connector filling device with remote control | 214 236.000 | 3    |
| 1× Remote control extension cable, 20 m               | 211 506.005 | 4    |
| 3× Sponge ball Ø 30 mm                                | 000 239.004 | 5    |
| 3× Hose holder, leather                               | 000 206.008 |      |
| <b>Optional accessories</b>                           |             |      |
| 1× PM grout, 18 l storage tank, 25 pcs                | 266 743.004 |      |

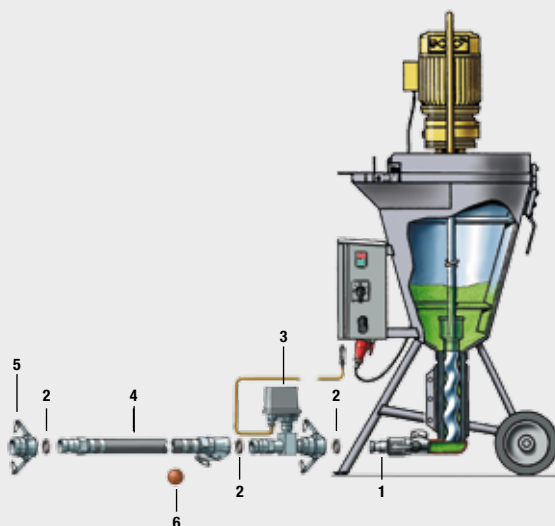


### Accessories for filling anchor elements



**Complete set, part no. 533 085**  
**≈ 20 m long, consisting of:**

| Part                                   | Part no.    | Fig. |
|--|-------------|------|
| 1× Adapter, V 35/V 25-40               | 207 795.008 | 1    |
| 3× Seal ID 25                          | 207 764.000 | 2    |
| 1× Pressure monitor, 2-32 bar          | 523 102     | 3    |
| 2× Mortar hose, ID 25-40, 10 m         | 207 804.009 | 4    |
| 1× PM coupling, M25-40/RI 1'           | 211 597.001 | 5    |
| 1× Pressure test gauge, ID 25-40       | 208 745.002 |      |
| 3× Sponge ball Ø 30 mm                 | 000 239.004 | 6    |
| 3× Hose holder, leather                | 000 206.008 |      |
| <b>Optional accessories</b>            |             |      |
| 1× PM grout, 18 l storage tank, 25 pcs | 266 743.004 |      |







# CM 15 – Continuous mixer

Efficient mixing on virtually any construction site



**Ideal** for conveying material  
**in combination with S 5 EV**  
worm pump

- Cementitious adhesive and reinforcement mortar
- Coloured and base plaster
- Maximum material grain size of 4 mm

Plaster/Fine plaster



- Masonry and wet mortar

Special applications

| Equipment standard / option:                              | CM 15 |
|---|-------|
| 230-volt connection                                       | ■     |
| Feed container that can be lowered                        | ■     |
| Instruction manual and spare parts list                   | ■     |
| Mixer shaft and conveyor screw                            | ■     |
| Rubber mixing hose with water connection and bearing unit | ■     |
| Water valve fitting                                       | ■     |

– Not available    Option    Standard

### Designed for efficient working

- Rubber mixing pipe for rapid cleaning of the mixing zone
- Robust mixer shaft and conveyor screw



### Simple handling and transportation

- Hopper that can be lowered
- Easy to dismantle into convenient components
- Quick and easy to transport



### Reliable drive

- Practical 230 V connection
- Economical, low-noise electric motor



### Technical data

### CM 15

|                         |   |
|-------------------------|---|
| Part no.                | 111 627.000                               |
| Hopper volume           | 80 l                                      |
| Mixer output*           | 15-20 l                                   |
| Engine                  | Electric motor, 230 V / 50 Hz, 1.1 kW     |
| Weight                  | 76.5 kg                                   |
| Water connection        | Geka ½"                                   |
| Water pressure          | min. 2.5 bar                              |
| Fuse                    | 16 A via residual current circuit breaker |
| Length × width × height | 1,500 × 650 × 900 mm                      |
| Filling height          | 900 mm                                    |
| Maximum particle size   | 4 mm                                      |

\* The data is based on experience and depends on the materials used.



## S 5 EV/EVTM

Universal worm pump for standard and special applications



- **Exterior plaster**  
(lime, lime cement and insulating plaster)
- **Interior plaster**  
(lime plaster)

Plaster/Fine plaster



- Fire protection mortar
- Self-levelling compound
- ETICS
- Masonry, adhesive and refurbishing mortar
- Sealing slurry
- Injection and filling mortar
- Glass-fibre-reinforced concrete
- Rough finish plaster and adhesive bridges  
(by installing corresponding screw conveyor parts)

Special applications

| Equipment standard / option:                    | S 5 EV                   | S 5 EVT M                |
|---|--------------------------|--------------------------|
| Adapter V 50-M35                                | ■                        | ■                        |
| Cleaning tool                                   | ■                        | ■                        |
| Grease cartridge                                | ■                        | ■                        |
| Instruction manual and spare parts list         | ■                        | ■                        |
| Seal ring with mortar coupling                  | ■                        | ■                        |
| Standard colour paintwork                       | ■                        | ■                        |
| Standard tool                                   | ■                        | ■                        |
| Cable remote control 20 m with emergency switch | <input type="checkbox"/> | <input type="checkbox"/> |
| Pneumatic remote control 20 m                   | <input type="checkbox"/> | <input type="checkbox"/> |
| Vibrating screen                                | <input type="checkbox"/> | –                        |
| Timing relay for mixer                          | –                        | <input type="checkbox"/> |
| Water metering                                  | –                        | <input type="checkbox"/> |

– Not available  Option  Standard



### Worm pump with powerful 5.5 kW drive

- Depending on the material, different worm parts can be used for maximum versatility
- Slide on cardan shaft makes it easier to change the pump parts



### Economical, robust and user-friendly

- Protective grill with integral safety switch folds open to provide full access for maintenance and cleaning
- Intelligent positioning of mixing blade guarantees a high mixing quality
- Large robust material hopper (100 l) and perfectly adapted mixer (80 l) for rapid material processing



### Made for working

- Flexible use in a host of applications
- Pan mixer is easy to retrofit for maximum material quality (S 5 EVTm)
- Infinite adjustment of delivery rate using a simple rotary wheel



### Flexible configuration for a wide range of applications

- Central control cabinet is also a power distributor for attached devices such as the pan mixer or compressors
- Varied accessories program covers a large number of applications



| Technical data          | S 5 EV                         | S 5 EVTm                       |
|-------------------------|--------------------------------|--------------------------------|
| Part no.                | 111 635.010                    | 111 635.030                    |
| Pan mixer               | –                              | 80 l                           |
| Hopper volume           | 100 l                          | 100 l                          |
| Pump                    | Worm pump 2L6                  | Worm pump 2L6                  |
| Delivery rate (theor.)* | 7-40 l/min                     | 7-40 l/min                     |
| Delivery pressure       | 25 bar                         | 25 bar                         |
| Delivery range**        | 60 m horizontal, 40 m vertical | 60 m horizontal, 40 m vertical |
| Engine                  | 5.5 kW, 400 V / 50 Hz          | 5.5 kW, 400 V / 50 Hz          |
| Mixer drive             | –                              | 2.2 kW                         |
| Weight                  | 190 kg                         | 400 kg                         |
| Length × width × height | 2,290 × 680 × 650 mm           | 2,505 × 680 × 1,150 mm         |
| Filling height          | 650 mm                         | 1,150 mm                       |
| Maximum particle size   | 6 mm                           | 6 mm                           |
| Pressure connection     | M 50                           | M 50                           |
| Special feature         | Basic version                  | with pan mixer                 |

\* The delivery rate depends on the pump model, and can vary in accordance with the pump used.

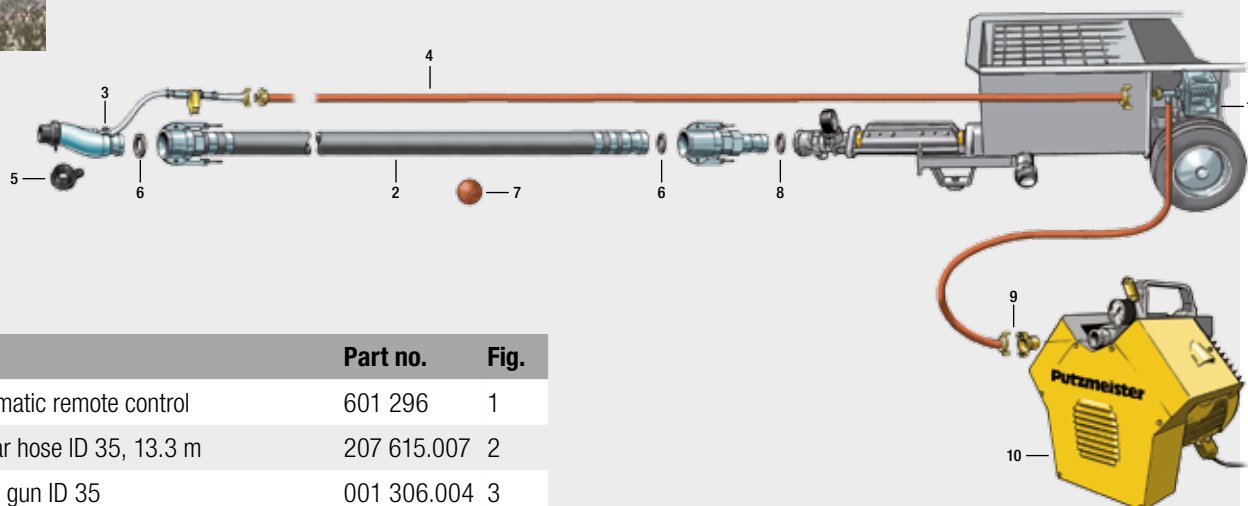
\*\* The data is based on experience and depends on the materials used.

# Accessories S 5 EV / EVTM

## Accessories for processing site-made mixes



**Complete set, part no.628 607**  
 ≈ 40 m long, consisting of:

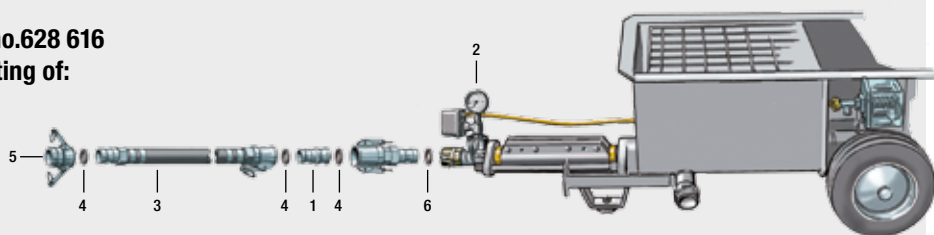


| Part                           | Part no.    | Fig. |
|--------------------------------|-------------|------|
| 1× Pneumatic remote control    | 601 296     | 1    |
| 3× Mortar hose ID 35, 13.3 m   | 207 615.007 | 2    |
| 1× Spray gun ID 35             | 001 306.004 | 3    |
| 2× Air hose, ½", 20 m          | 001 665.004 | 4    |
| 1× Nozzle dia. 16 mm           | 521 643     | 5    |
| 10× Seal ID 35                 | 213 725.004 | 6    |
| 10× Sponge ball Ø 45 mm        | 065 044.001 | 7    |
| 10× Seal ID 50                 | 213 266.000 | 8    |
| 1× Geka coupling, ¼"           | 207 969.009 | 9    |
| 1× V-Meko compressor with fuse | 400 168     | 10   |
| 3× Hose holder, leather        | 000 206.008 |      |

## Accessories for filling anchors



**Complete set, part no.628 616**  
 ≈ 20 m long, consisting of:

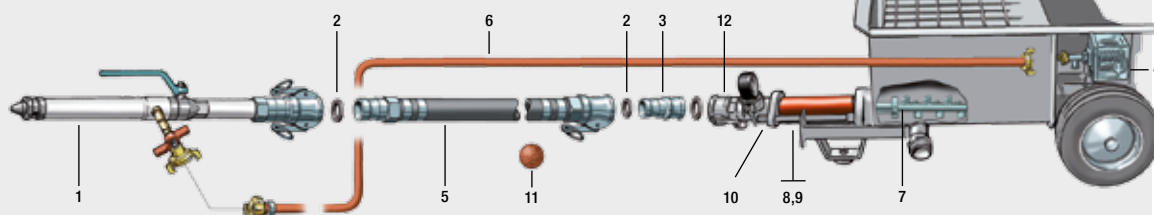


| Part   | Part no.    | Fig. |
|--|-------------|------|
| 1× Adapter, V 35/V 25-40                         | 207 795.008 | 1    |
| 1× Pressure monitor, 2-32 bar                    | 628 593     | 2    |
| 2× Mortar hose, ID 25, V 25 / M 25,<br>10 m long | 207 804.009 | 3    |
| 5× Seal ID 25                                    | 207 764.000 | 4    |
| 1× PM coupling, M 25-40/RI 1                     | 211 597.001 | 5    |
| 1× Pressure test gauge, ID 25-40                 | 208 745.002 |      |
| 10× Seal ID 50                                   | 213 266.000 | 6    |

### Accessories for processing fine plaster (grain size of < 4 mm)



**Complete set, part no.628 613**  
 ≈ 20 m long, consisting of:



**In addition, a compressor with an air volume of 400 –500 l/min is required.**

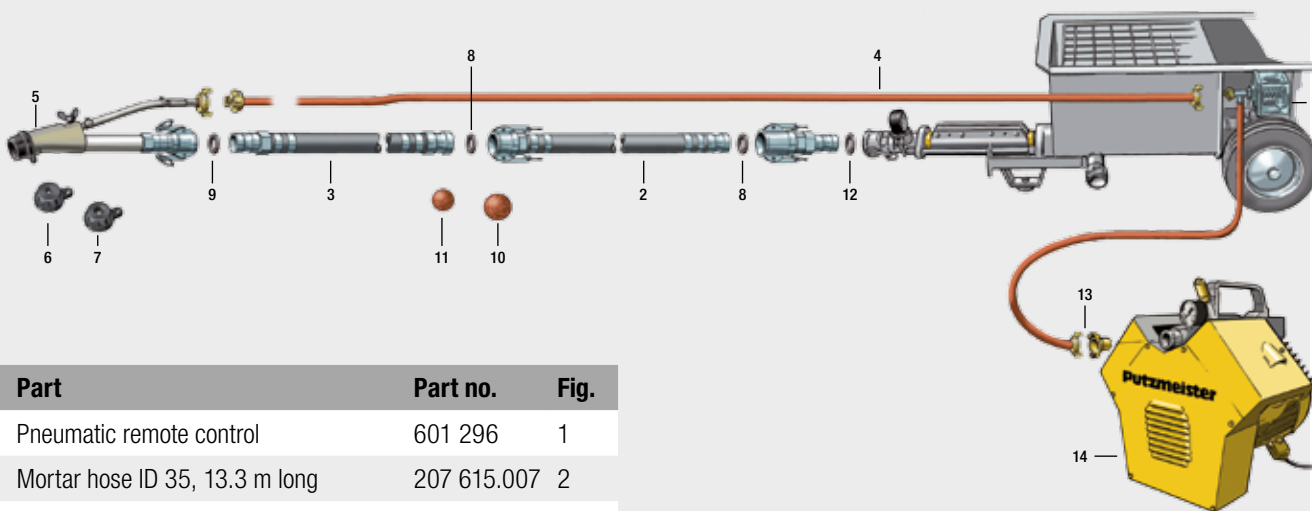
| Part                            | Part no.    | Fig. |
|---------------------------------|-------------|------|
| 1× Fine plaster spray gun ID 25 | 529 733     | 1    |
| 5× Seal ID 25                   | 207 764.000 | 2    |
| 1× Adapter, V 35/V 25-40        | 207 795.008 | 3    |
| 1× Pneumatic remote control     | 601 296     | 4    |
| 2× Mortar hose ID 25, 10 m      | 207 804.009 | 5    |
| 1× Air hose, ½", 20 m long      | 001 665.004 | 6    |
| 1× Cardan shaft D4              | 525 378     | 7    |

| Part                    | Part no.    | Fig. |
|-------------------------|-------------|------|
| 1× D6 Power rotor       | 443 740     | 8    |
| 1× D6 Power stator      | 206 345.006 | 9    |
| 2× Tie bolt             | 011 145.006 | 10   |
| 3× Sponge ball Ø 30 mm  | 000 239.004 | 11   |
| 3× Hose holder, leather | 000 206.008 |      |
| 1× Pressure connection  | 202 189.004 | 12   |

### Accessories for processing premixed dry mortar (cement plaster, fire-retardant plaster, reinforcement plaster)



**Complete set, part no.628 617**  
 ≈ 30 m long, consisting of:



| Part                                       | Part no.    | Fig. |
|--|-------------|------|
| 1× Pneumatic remote control                | 601 296     | 1    |
| 2× Mortar hose ID 35, 13.3 m long          | 207 615.007 | 2    |
| 1× Mortar hose, ID 35, V 35 / V 25-40, 5 m | 207 808.005 | 3    |
| 2× Air hose ½", 15 m                       | 212 333.002 | 4    |
| 1× Fine plaster spray gun ID 25            | 408 237     | 5    |
| 1× Nozzle dia. 12 mm                       | 521 641     | 6    |
| 1× Nozzle dia. 14 mm                       | 521 642     | 7    |
| 5× Seal ID 35                              | 213 725.004 | 8    |
| 3× Seal ID 25                              | 207 764.000 | 9    |

| Part                           | Part no.    | Fig. |
|--------------------------------|-------------|------|
| 5× Sponge ball Ø 45 mm         | 065 044.001 | 10   |
| 3× Sponge ball Ø 30 mm         | 000 239.004 | 11   |
| 10× Seal ID 50                 | 213 266.000 | 12   |
| 1× Geka coupling ¼"            | 207 969.009 | 13   |
| 1× V-Meko compressor with fuse | 400 168     | 14   |
| 3× Hose holder, leather        | 000 206.008 |      |

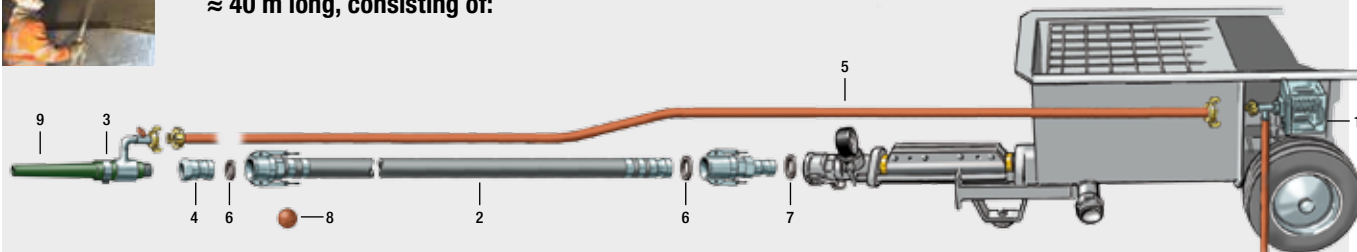


# Accessories S 5 EV / EVTM

## Accessories for concrete restoration



**Complete set, part no.628 619**  
 ≈ 40 m long, consisting of:



**In addition, a compressor with an air volume of 1500 l/min is required.**

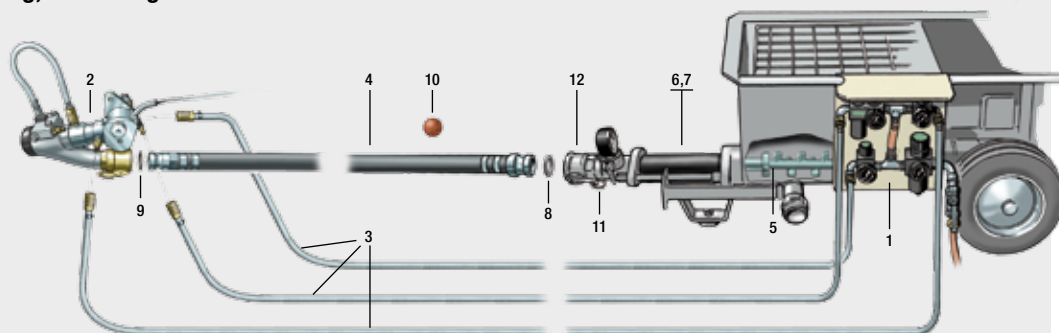
| Part                         | Part no.    | Fig. |
|------------------------------|-------------|------|
| 1× Pneumatic remote control  | 601 296     | 1    |
| 3× Mortar hose ID 35, 13.3 m | 207 615.007 | 2    |
| 1× Refurbishing spray gun    | 207 283.002 | 3    |
| 1× Coupling V 35             | 203 135.002 | 4    |
| 2× Air hose, 20 m            | 001 665.004 | 5    |
| 5× Seal ID 35                | 213 725.004 | 6    |

| Part                    | Part no.    | Fig. |
|-------------------------|-------------|------|
| 10× Seal ID 50          | 213 266.000 | 7    |
| 1× Adapter V 50 / M 35  | 213 217.004 |      |
| 5× Sponge ball Ø 45 mm  | 065 044.001 | 8    |
| 1× Nozzle, dia. 15 mm   | 207 286.009 | 9    |
| 3× Hose holder, leather | 000 206.008 |      |

## Accessories for spraying glass-fibre reinforced concrete



**Complete set, part no. 542 935**  
 ≈ 10 m long, consisting of:



| Part                                       | Part no.    | Fig. |
|--|-------------|------|
| 1× Control panel                           | 207 223.004 | 1    |
| 1× GFB spray gun                           | 070 436.002 | 2    |
| 1× Hose connection cpl.                    | 209 347.001 | 3    |
| 1× Mortar hose ID 25, V 35 / V 25–40, 10 m | 207 809.004 | 4    |
| 1× Cardan shaft (spiral)                   | 525 378     | 5    |
| 1× Screw conveyor D 8-2                    | 436 743     | 6    |

| Part                           | Part no.    | Fig. |
|--------------------------------|-------------|------|
| 1× Screw conveyor barrel D 8-2 | 436 746     | 7    |
| 3× Seal ID 35                  | 213 725.004 | 8    |
| 3× Seal ID 25                  | 207 764.000 | 9    |
| 3× Sponge ball Ø 30 mm         | 000 239.004 | 10   |
| 2× Tie bolt                    | 011 145.006 | 11   |
| 1× Pressure connection         | 202 189.004 | 12   |

**Modification of pump type 2L6 in line with other pump types:**
**Conversion of S 5 EV with slide-on Cardan shaft  
(version from part no. 111 452.310, 111 452.330)  
to D4, D4½, D4¼, D5 short, D6, D8-2+ with the  
following parts:**

| Part                        | Part no.    |
|-----------------------------|-------------|
| 1× Cardan shaft (spiral)    | 525 378     |
| 2× Tie rod (l=300 mm, M 20) | 011 145.006 |
| 1× Pressure connection      | 202 189.004 |

**Conversion of S 5 EV 2L6 to D5 with the  
following parts:**

| Part                        | Part no.    |
|-----------------------------|-------------|
| 1× Cardan shaft (spiral)    | 525 378     |
| 1× D5 rotor                 | 070 351.006 |
| 1× D5 stator                | 070 352.005 |
| 1× Clamp, cpl.              | 206 848.008 |
| 2× Tie rod (l=410 mm, M 20) | 467 156     |
| 1× Pressure connection      | 202 189.004 |

**Conversion of S 5 EV 2L6 to 1L6 with the  
following parts:**

| Part                        | Part no.    |
|-----------------------------|-------------|
| 1× 1L6 rotor                | 207 136.007 |
| 1× 1L6 stator               | 214 536.001 |
| 1× Clamp, cpl.              | 422 747     |
| 2× Tie rod (l=300 mm, M 20) | 011 145.006 |

**Conversion of S 5 EV 2L6 to 2L54 with the  
following parts:**

| Part                     | Part no.    |
|--------------------------|-------------|
| 1× Cardan shaft (spiral) | 455 703     |
| 1× Rotor 2L54            | 211 739.005 |
| 1× Stator 2L54           | 523 235     |

You can find information on our range of rotors and stators in the accessories catalogue – you can also contact customer service.



# SP 11 LMR

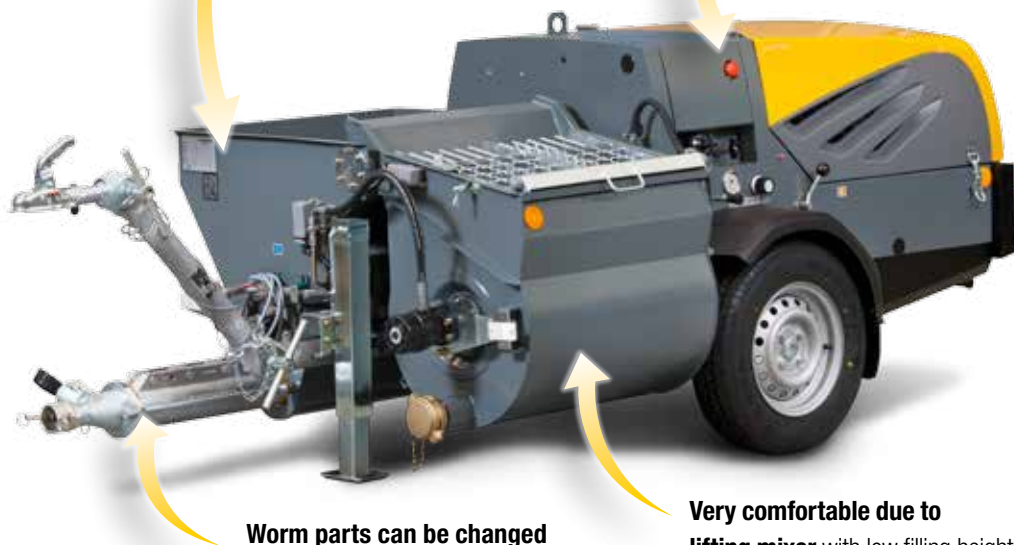
Plastering made easy

## Large hopper 180 l

ideal for efficient, continuous output of premixed dry mortar and site mixes

## Userfriendly

adjustable delivery rate and water dosing



## Worm parts can be changed

quickly according to each application

## Very comfortable due to

lifting mixer with low filling height

- **Exterior plaster**  
(lime, lime cement and insulating plaster)
- **Interior plaster**  
(lime plaster)



Plaster/Fine plaster

- Light masonry or fire protection mortar
- Filling and grouting work
- Concrete renovation

Special applications

### Equipment standard / option:

### SP 11 LMR

|   |   |
|---|---|
| Car cable adapter                       | ■ |
| Car coupling                            | ■ |
| Cleaning tool                           | ■ |
| Grease cartidge                         | ■ |
| High-pressure cleaner                   | ■ |
| Instruction manual and spare parts list | ■ |
| Lever press with hose                   | ■ |
| Mechanical water metering               | ■ |
| Seal ring for mortar coupling           | ■ |
| Standard colour paintwork               | ■ |
| Standard tool                           | ■ |
| Cable remote control 20 m               | □ |
| Dust extraction                         | □ |
| Radio remote control 20 m               | □ |
| Special canopy paint in RAL colours     | □ |
| Support wheel                           | □ |
| Truck coupling                          | □ |
| Vibrating screen                        | □ |
| Working lights                          | □ |

– Not available □ Option ■ Standard



### The benchmark in user-friendly plastering

- Water dosing pipe and dust extraction system (dust is extracted and discharged via the exhaust system) in the mixer cover ensure an efficient and convenient working process
- Unique storage capacity for generous reserves when working on more ambitious projects
- Extremely effective mixing apparatus
- Lifting mixer with low filling height that mixes material continuously



### Powerful and convenient

- Low-noise, low-speed economical 3-cylinder Kubota diesel engine
- Powerful worm pump 2L6 with a hose discharge connection
- Fully hydraulic pump and mixer drive with infinitely adjustable pumping rate



### Highest quality and safety standards

- Double-walled canopy provides effective sound insulation
- Weighs less than 750 kg on an unbraked chassis for simple transportation
- Machine operation conforms with CE standards to protect the operator



### Genuine added value – Made for working!

- No external power supply required, ensuring flexible operation on any construction site
- Lightweight, hard-wearing plastic canopy that is easy to clean and can withstand the toughest site conditions



| Technical data          | SP 11 LMR   |
|-------------------------|---|
| Part no.                | 111 626.400   |
| Hopper volume           | 180 l   |
| Lifting mixer           | 220 l   |
| Delivery rate (theor.)* | 5–60 l/min  |
| Delivery pressure       | 25 bar  |
| Delivery range**        | 60 m horizontal and 40 m vertical for exterior/interior plaster |
| Compressor              | 2-cylinder, 400 l/min, 3.7 bar                                  |
| Pump                    | Worm pump 2L6   |
| Engine                  | 3-cylinder Kubota diesel, 16.3 kW at 2,600 rpm                  |
| Weight (fully fuelled)  | 750 kg  |
| Length × width × height | 3,260 × 1,420 × 1,160 mm  |
| Filling height          | 800 mm  |
| Maximum particle size   | 6 mm  |
| Chassis                 | unbraked, suitable for road use                                 |

\* The delivery rate depends on the pump model, and can vary in accordance with the pump used.

\*\* The data is based on experience and depends on the materials used.



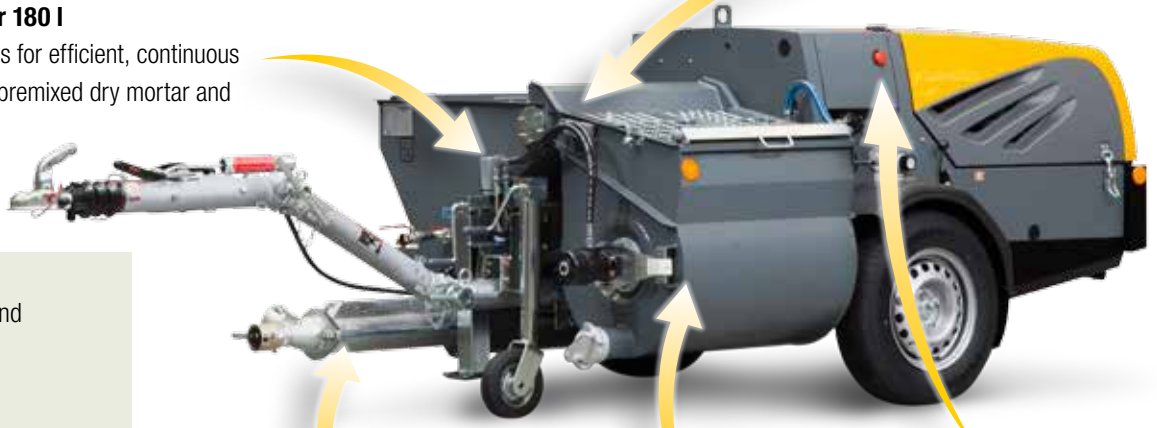
## SP 11 TMR

Outstanding performance for a wide variety of possible applications even self-levelling screed

### Large hopper 180 l

ideal conditions for efficient, continuous processing of premixed dry mortar and site mixes

**Easy to clean** with high pressure cleaner integrated



**Quick change** of worm parts

**Very comfortable due to Lifting mixer** with low filling height

**User-friendly** adjustable delivery rate and water dosing (for a constant material quality)

- **Exterior plaster**  
(lime, lime cement and insulating plaster)
- **Interior plaster**  
(lime plaster)

Plaster/Fine plaster



- Light masonry or fire protection mortar
- Filling and grouting work
- Concrete renovation

Special applications

### Equipment standard / option:

### SP 11 TMR

|   |   |
|---|---|
| Car cable adapter                       | ■ |
| Car coupling                            | ■ |
| Cleaning tool                           | ■ |
| Grease cartridge                        | ■ |
| High-pressure cleaner                   | ■ |
| Instruction manual and spare parts list | ■ |
| Lever press with hose                   | ■ |
| Mechanical water metering               | ■ |
| Seal ring for mortar coupling           | ■ |
| Standard colour paintwork               | ■ |
| Standard tool                           | ■ |
| Support wheel                           | ■ |
| Cable remote control 20 m               | □ |
| Dust extraction                         | □ |
| Radio remote control 20 m               | □ |
| Special canopy paint in RAL colours     | □ |
| Truck coupling                          | □ |
| Vibrating screen                        | □ |
| Working lights                          | □ |

– Not available □ Option ■ Standard

### Powerful diesel engine for extra performance

- Low-noise, economical 4-cylinder Kubota diesel engine with low speed of 2,600 rpm
- Large 26-litre tank
- Excellent soundproofing due to sealed engine compartment
- No external power supply required, ensuring flexible operation on any construction site



### Large, user-optimised hopper/mixer

- Largest available mixer/hopper with extremely effective mixing apparatus
- Water dosing pipe and patented dust extraction system (optional) in the mixer cover sets new standards in terms of operating comfort
- Lifting mixer with convenient low filling height mixes material continuously



### User-friendly design

- Modern, timeless design and good accessibility
- Support wheel for excellent manoeuvrability with low drawbar load
- Machine operation conforms with CE standards to protect the operator



### Virtually limitless versatility

- Fully hydraulic pump and mixer drive with infinitely adjustable pumping rate
- Simple installation of powerful worm components (2L75) e.g. for pumping self levelling floor screed (up to 15 m<sup>3</sup>/h)
- High engine power and attachment of accessory parts combine to expand the range of applications



### Technical data

### SP 11 TMR

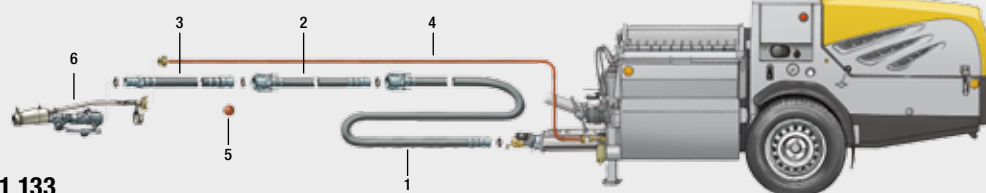
|                         |   |
|-------------------------|---|
| Part no.                | 111 626.500   |
| Hopper volume           | 180 l   |
| Lifting mixer           | 220 l   |
| Delivery rate (theor.)* | 5-75 l/min, optional: up to 15 m <sup>3</sup> /h                |
| Delivery pressure       | 35 bar, optional: 20 bar  |
| Delivery range**        | 70 m horizontal and 50 m vertical for exterior/interior plaster |
| Compressor              | 2-cylinder, 400 l/min, 3.7 bar                                  |
| Pump                    | Worm pump 2L6, optional: 2L75                                   |
| Engine                  | 4-cylinder Kubota diesel, 22.7 kW at 2,600 rpm                  |
| Weight (fully fuelled)  | 900 kg  |
| Length × width × height | 3,820 × 1,420 × 1,160 mm  |
| Filling height          | 880 mm  |
| Maximum particle size   | 6 mm (2L6), 8 mm (2 L75)  |
| Chassis                 | braked, approved for road use                                   |

\* The delivery rate depends on the pump model, and can vary in accordance with the pump used.

\*\* The data is based on experience and depends on the materials used.

# Accessories SP 11

## Accessories for processing monocouche renders

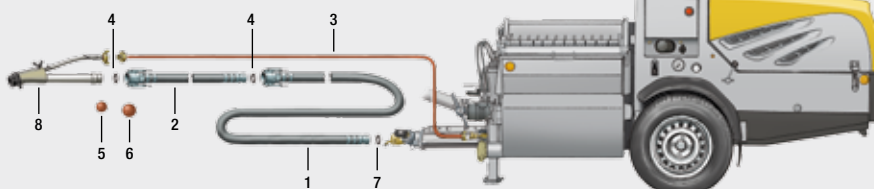


**Complete set, part no. 401 133**  
 ≈ 30 m long, consisting of:

| Part                                     | Part no.    | Fig. |
|--|-------------|------|
| 1× Mortar hose ID 35, V 50, M 35, 13.3 m | 207 616.006 | 1    |
| 1× Mortar hose ID 35, V 35, M 35, 13.3 m | 207 615.007 | 2    |
| 1× Mortar hose, ID 25, V 25, M 25, 5 m   | 207 808.005 | 3    |
| 1× Air hose Geka ½"; 40 m                | 214 734.007 | 4    |
| 2× Sponge ball Ø 45 mm                   | 065 044.001 | 5    |
| 1× Spray gun, ID 25-40 short             | 408 237     | 6    |

| Part                                | Part no.    | Fig. |
|-------------------------------------|-------------|------|
| 1× Rubber fine plaster nozzle 8 mm  | 214 751.006 |      |
| 1× Rubber fine plaster nozzle 10 mm | 214 752.005 |      |
| 1× Rubber fine plaster nozzle 12 mm | 214 753.004 |      |
| 1× Rubber fine plaster nozzle 14 mm | 214 754.003 |      |
| 1× Rubber fine plaster nozzle 16 mm | 214 755.002 |      |
| 1× Flexible mortar nozzle, D 18     | 001 329.007 |      |
| 1× Hose holder, leather             | 000 206.008 |      |

## Accessories for processing premixed dry mortar



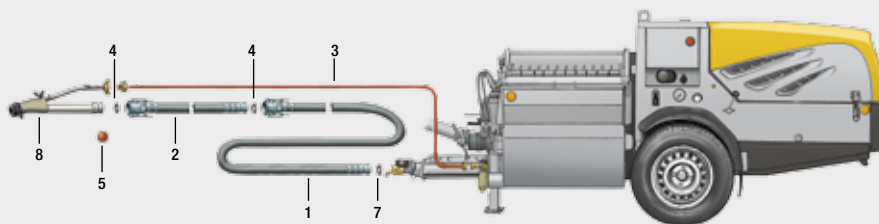
**Complete set, part no. 532 995**  
 ≈ 40 m long, consisting of:

| Part                                      | Part no.    | Fig. |
|---|-------------|------|
| 2× Mortar hose, ID 50, V 50, M 50, 13.3 m | 501 914     | 1    |
| 1× Mortar hose ID 35, V 50, M 35, 13.3 m  | 207 616.006 | 2    |
| 1× Air hose Geka ½"; 40 m                 | 214 734.007 | 3    |
| 5× Seal ID 35                             | 213 725.004 | 4    |

| Part                    | Part no.    | Fig. |
|-------------------------|-------------|------|
| 5× Sponge ball Ø 60 mm  | 000 212.005 | 6    |
| 5× Sponge ball Ø 45 mm  | 065 044.001 | 5    |
| 5× Seal ID 50           | 213 266.000 | 7    |
| 1× Spray gun V 35       | 203 054.002 | 8    |
| 3× Hose holder, leather | 000 206.008 |      |



### Accessories for processing fire-retardant mortar

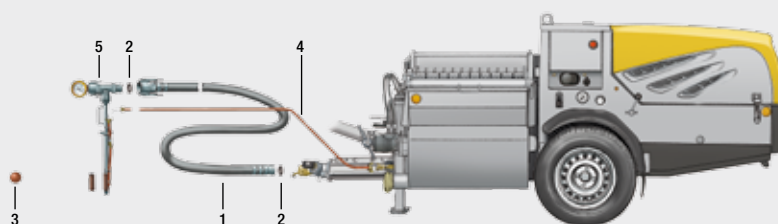


**Complete set, part no. 533 638**  
**≈ 40 m long, consisting of:**

| Part                                      | Part no.    | Fig. |
|---|-------------|------|
| 1× Mortar hose, ID 35, V 50, M 35, 13.3 m | 207 616.006 | 1    |
| 2× Mortar hose, ID 35, V 35, M 35, 13,3 m | 207 615.007 | 2    |
| 1× Air hose Geka ½"; 40 m                 | 214 734.007 | 3    |
| 5× Seal ID 35                             | 213 725.004 | 4    |

| Part                    | Part no.    | Fig. |
|-------------------------|-------------|------|
| 5× Seal ID 50           | 213 266.000 | 7    |
| 5× Sponge ball Ø 45 mm  | 065 044.001 | 5    |
| 1× Spray gun V 35       | 203 054.002 | 8    |
| 3× Hose holder, leather | 000 206.008 |      |

### Accessories for injection



**Complete set, part no. 532 998**  
**≈ 40 m long, consisting of:**

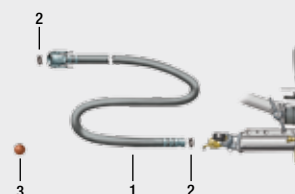
| Part                                      | Part no.    | Fig. |
|---|-------------|------|
| 3× Mortar hose, ID 50, V 50, M 50, 13.3 m | 501 914     | 1    |
| 5× Seal ID 50                             | 213 266.000 | 2    |
| 5× Sponge ball Ø 60 mm                    | 000 212.005 | 3    |
| 1× Air hose Geka ½"; 40 m                 | 214 734.007 | 4    |

| Part   | Part no.    | Fig. |
|--|-------------|------|
| 3× Hose holder, leather  | 000 206.008 |      |
| 1× Injection nozzle with T-piece, pressure gauge, remote control air cock, coupling with spout ID 50, expanding collar D 45, and collar D 38 | 001 128.004 | 5    |

### Accessories for processing self levelling floor screed with SP 11 THF



**For a delivery range of 40 m,**  
**you will require:**



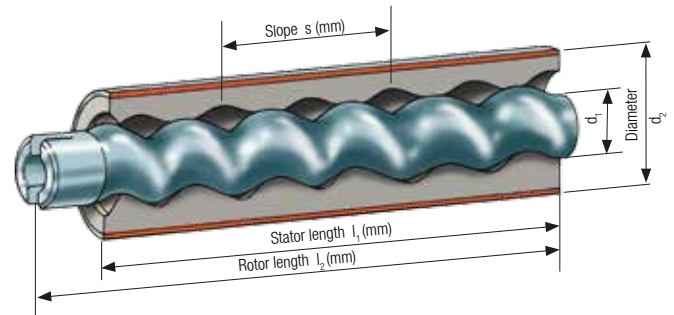
| Part                                      | Part no. | Fig. |
|---|----------|------|
| 3× Mortar hose, ID 50, V 50, M 50, 13.3 m | 501 914  | 1    |

| Part                    | Part no.    | Fig. |
|-------------------------|-------------|------|
| 5× Seal ID 50           | 213 266.000 | 2    |
| 5× Sponge ball Ø 60 mm  | 000 212.005 | 3    |
| 3× Hose holder, leather | 000 206.008 |      |

# Stators and Rotors

## Rule of thumb:

- The finer the grain and the softer the material to be pumped, the harder the required rubber quality of the stator must be.
- The grainier the material and the harder the aggregate, the softer the required rubber quality.



## Mixer pump MP 25 Mixit

| Type        | Delivery quantity (l/min) | l/min at 100 UpM** (75% efficiency) | Colour | Hardness (°Shore) | max. Grain (mm) | Pump pressure (bar) | Length/ Ø Stator (mm) | Length Rotor without pin (mm) | Design Rotor head |
|-------------|---------------------------|-------------------------------------|--------|-------------------|-----------------|---------------------|-----------------------|-------------------------------|-------------------|
| D4 1/4      | 6                         | 2.5                                 | white  | 70                | 3               | 40                  | 270 / 90              | 320                           | Slot              |
| D4 1/4      | 6                         | 2.5                                 | grey   | 65                | 3               | 30                  | 270 / 90              | 320                           | Slot              |
| D4 1/2      | 12                        | 4.5                                 | green  | 70                | 3               | 40                  | 270 / 90              | 320                           | Slot              |
| D4 1/2      | 12                        | 4.5                                 | black  | 65                | 3               | 30                  | 270 / 90              | 320                           | Slot              |
| D4          | 20                        | 5.5                                 | red    | 72                | 4               | 20                  | 270 / 90              | 320                           | Slot              |
| D4          | 20                        | 5.5                                 | yellow | 50                | 4               | 20                  | 270 / 90              | 320                           | Slot              |
| D5 short    | 40                        | 7.8                                 | brown  | 72                | 4               | 20                  | 270 / 90              | 320                           | Slot              |
| D5 short SL | 40                        | 7.8                                 | brown  | 63                | 4               | 20                  | 270 / 90              | 320                           | Slot              |
| D6 Twin     | 25                        | 6.5                                 | white  | 73                | 4               | 40                  | 270 / 90              | 320                           | Slot              |
| D6 Power    | 25                        | 6.5                                 | red    | 73                | 4               | 40                  | 270 / 90              | 320                           | Slot              |
| D6-3        | 25                        | 6.5                                 | orange | 73                | 4               | 40                  | 270 / 90              | 320                           | Slot              |
| D6-3 Action | 25                        | 6.5                                 | orange | 73                | 4               | 40                  | 270 / 90              | 320                           | Slot              |
| D7-2        | 35                        | 9                                   | red    | 73                | 4               | 40                  | 270 / 90              | 320                           | Slot              |
| D8-2        | 40                        | 8.8                                 | black  | 65                | 4               | 30                  | 270 / 90              | 320                           | Slot              |

## Worm pump P 12

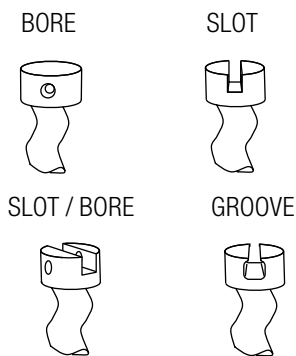
| Type     | Delivery quantity (l/min) | l/min at 100 UpM** (75% efficiency) | Colour | Hardness (°Shore) | max. Grain (mm) | Pump pressure (bar) | Length/ Ø Stator (mm) | Length Rotor without pin (mm) | Design Rotor head |
|----------|---------------------------|-------------------------------------|--------|-------------------|-----------------|---------------------|-----------------------|-------------------------------|-------------------|
| D4 1/4   | 1,5 + 3                   | 2.5                                 | white  | 70                | 3               | 40                  | 270 / 90              | 320                           | Slot              |
| D4 1/4   | 1,5 + 3                   | 2.5                                 | grey   | 65                | 3               | 30                  | 270 / 90              | 320                           | Slot              |
| D4 1/2   | 2,5 + 5                   | 4.5                                 | green  | 70                | 3               | 40                  | 270 / 90              | 320                           | Slot              |
| D4 1/2   | 2,5 + 5                   | 4.5                                 | black  | 65                | 3               | 30                  | 270 / 90              | 320                           | Slot              |
| D4       | 3,5 + 7,5                 | 5.5                                 | red    | 72                | 4               | 20                  | 270 / 90              | 320                           | Slot              |
| D4       | 3,5 + 7,5                 | 5.5                                 | yellow | 50                | 4               | 20                  | 270 / 90              | 320                           | Slot              |
| D5 short | 6 + 12                    | 7.8                                 | brown  | 72                | 4               | 20                  | 270 / 90              | 320                           | Slot              |

## Mounting aid for rotor stator

Silicon spray, 400-ml aerosol

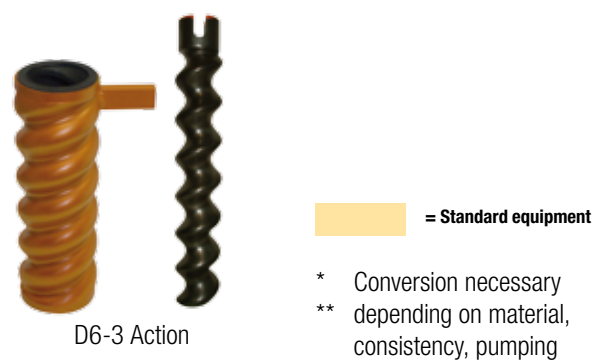
Art. No. 508 975





| Stator Art. No. | Rotor Art. No. | Clamping jacket Art. No. | Rotor for Uni-mixer Art. No. |
|-----------------|----------------|--------------------------|------------------------------|
| 214 573.006     | 214 572.007    | maintenance-free         | 400 912                      |
| 620 489         | 214 572.007    | integrated               | 400 912                      |
| 214 403.008     | 214 402.009    | maintenance-free         | 400 913                      |
| 620 483         | 214 402.009    | integrated               | 400 913                      |
| 010 316.001     | 207 140.006    | 208 128.001              | –                            |
| 010 313.004     | 207 140.006    | 208 128.001              | –                            |
| 071 011.002     | 071 234.009    | 208 128.001              | 400 910                      |
| 610 494         | 071 234.009    | integrated               | 400 910                      |
| 627 353         | 443 740        | maintenance-free         | 400 911                      |
| 206 345.006     | 443 740        | maintenance-free         | 400 911                      |
| 473 639         | 473 638        | maintenance-free         | 487 115                      |
| 482 672         | 473 638        | maintenance-free         | 487 115                      |
| 485 478         | 485 479        | maintenance-free         | –                            |
| 436 746         | 436 743        | maintenance-free         | 436 744                      |

| Stator Art. No. | Rotor Art. No. | Clamping jacket Art. No. |
|-----------------|----------------|--------------------------|
| 214 573.006     | 214 572.007    | maintenance-free         |
| 620 489         | 214 572.007    | integrated               |
| 214 403.008     | 214 402.009    | maintenance-free         |
| 620 483         | 214 402.009    | integrated               |
| 010 316.001     | 207 140.006    | 208 128.001              |
| 010 313.004     | 207 140.006    | 208 128.001              |
| 071 011.002     | 071 234 009    | 208 128.001              |



= Standard equipment

\* Conversion necessary depending on material, consistency, pumping distance and pressure  
 \*\*

# Stators and Rotors

## Additional Worm Pumps

| Type      | Delivery quantity (l/min) | l/min at 100 UpM** (75% efficiency) | Colour | Hardness (°Shore) | max. Grain (mm) | Pump pressure (bar) | Length/ Ø Stator (mm) | Length Rotor without pin (mm) | Design Rotor head |
|-----------|---------------------------|-------------------------------------|--------|-------------------|-----------------|---------------------|-----------------------|-------------------------------|-------------------|
| 2L6       | 7–40                      | 17                                  | yellow | 73                | 6               | 40                  | 540 / 100             | 620                           | Slot/bore         |
| D6 Power* | 3–18                      | 6.5                                 | red    | 73                | 4               | 40                  | 270 / 90              | 320                           | Slot              |
| D8-2*     | 4–23                      | 8.8                                 | black  | 65                | 4               | 30                  | 270 / 90              | 320                           | Slot              |
| 2L6       | 7–40                      | 17                                  | yellow | 73                | 6               | 25                  | 540 / 100             | 620                           | Bore              |
| 2L6       | 7–40                      | 17                                  | yellow | 63                | 6               | 25                  | 540 / 100             | 620                           | Bore              |
| 2L74      | 150                       | 63                                  | blue   | 55                | 8               | 20                  | 670 / 124             | 620                           | Bore              |
| 2L88      | 8–55                      | 21                                  | brown  | 72                | 6               | 25                  | 540 / 100             | 620                           | Bore              |
| 2L88*     | 8–55                      | 21                                  | brown  | 72                | 6               | 25                  | 540 / 100             | 620                           | Slot              |
| 2L88      | 8–55                      | 21                                  | brown  | 72                | 6               | 25                  | 540 / 100             | 620                           | Bore              |
| 2L54*     | 8–55                      | 24                                  | grey   | 55                | 10              | 25                  | 535 / 124             | 620                           | Slot              |

## Worm pump S 5 (with inserted cardan shaft)

| Type      | Delivery quantity (l/min) | l/min at 100 UpM** (75% efficiency) | Colour | Hardness (°Shore) | max. Grain (mm) | Pump pressure (bar) | Length/ Ø Stator (mm) | Length Rotor without pin (mm) | Design Rotor head |
|-----------|---------------------------|-------------------------------------|--------|-------------------|-----------------|---------------------|-----------------------|-------------------------------|-------------------|
| D6 Power* | 3–18                      | 6.5                                 | red    | 73                | 4               | 40                  | 270 / 90              | 320                           | Slot              |
| D8-2*     | 4–23                      | 8.8                                 | black  | 65                | 4               | 30                  | 270 / 90              | 320                           | Slot              |
| 2L54      | 8–55                      | 24                                  | grey   | 55                | 10              | 25                  | 535 / 124             | 620                           | Slot              |
| 2L6       | 4–40                      | 17                                  | yellow | 50                | 6               | 25                  | 540 / 100             | 620                           | Slot 16           |
| 2L6       | 4–40                      | 17                                  | yellow | 50                | 6               | 25                  | 540 / 100             | 620                           | Slot 16           |
| 2L6       | 4–40                      | 17                                  | yellow | 63                | 6               | 25                  | 540 / 100             | 620                           | Slot 16           |
| 2L88      | 6–55                      | 21                                  | brown  | 50                | 6               | 20                  | 540 / 100             | 620                           | Slot 16           |
| 1,5L74    | 170                       | 63                                  | green  | 55                | 8               | 15                  | 517 / 124             | 596                           | Slot 16           |
| 2L6       | 7–40                      | 17                                  | yellow | 73                | 6               | 40                  | 540 / 100             | 620                           | Slot/bore         |

## Worm pump SP 11 LMR, BMB, BMT, BMR, BBR, BUR

| Type   | Delivery quantity (l/min) | l/min at 100 UpM** (75% efficiency) | Colour | Hardness (°Shore) | max. Grain (mm) | Pump pressure (bar) | Length/ Ø Stator (mm) | Length Rotor without pin (mm) | Design Rotor head |
|--------|---------------------------|-------------------------------------|--------|-------------------|-----------------|---------------------|-----------------------|-------------------------------|-------------------|
| 2L6    | 4–40                      | 17                                  | yellow | 50                | 6               | 25                  | 540 / 100             | 620                           | Slot 16           |
| 2L6    | 4–40                      | 17                                  | yellow | 50                | 6               | 25                  | 540 / 100             | 620                           | Slot 16           |
| 2L6    | 4–40                      | 17                                  | yellow | 63                | 6               | 25-30               | 540 / 100             | 620                           | Slot 16           |
| 2L88   | 6–55                      | 21                                  | brown  | 50                | 6               | 20                  | 540 / 100             | 620                           | Slot 16           |
| 1,5L74 | 170                       | 63                                  | green  | 55                | 8               | 15                  | 517 / 124             | 596                           | Slot 16           |
| 2L6    | 7–40                      | 17                                  | yellow | 50                | 6               | 25                  | 540 / 100             | 620                           | Slot / bore       |



| Stator Art. No. | Rotor Art. No. | Clamping jacket Art. No. |
|-----------------|----------------|--------------------------|
| 211 355.007     | 521 150        | 010 433.007              |
| 206 345.006     | 443 740        | maintenance-free         |
| 436 746         | 436 743        | maintenance-free         |
| 211 355.007     | 201 111.002    | 010 433.007              |
| 430 837         | 201 111.002    | maintenance-free         |
| 213 018.009     | 206 395.001    | integrated               |
| 203 509.007     | 422 650        | 010 433.007              |
| 203 509.007     | 211 815.000    | 010 433.007              |
| 203 509.007     | 203 511.008    | 010 433.007              |
| 523 235         | 211 739.005    | integrated               |



D6 Power



D4 yellow



D4 red

| Stator Art. No. | Rotor Art. No. | Clamping jacket Art. No. |
|-----------------|----------------|--------------------------|
| 206 345.006     | 443 740        | maintenance-free         |
| 436 746         | 436 743        | maintenance-free         |
| 523 235         | 211 739.005    | integrated               |
| 211 355.007     | 211 814.001    | 010 433.007              |
| 213 390.002     | 211 814.001    | integrated               |
| 430 837         | 211 814.001    | maintenance-free         |
| 203 509.007     | 211 815.000    | 010 433.007              |
| 213 027.003     | 213 028.002    | integrated               |
| 211 355.007     | 521 150        | 010 433.007              |



D8-2



2L88



2L6



Clamping jacket



2L6 maintenance-free

| Stator Art. No. | Rotor Art. No. | Clamping jacket Art. No. |
|-----------------|----------------|--------------------------|
| 211 355.007     | 211 814.001    | 010 433.007              |
| 213 390.002     | 211 814.001    | integrated               |
| 430 837         | 211 814.001    | maintenance-free         |
| 203 509.007     | 211 815.000    | 010 433.007              |
| 213 027.003     | 213 028.002    | integrated               |
| 211 355.007     | 521 150        | 010 433.007              |

 = Standard equipment

\* Conversion necessary depending on material, consistency, pumping distance and pressure  
 \*\*

# Stators and Rotors

## Additional Worm Pumps

| Type    | Usage in machine | l/min at 100 UpM**<br>(75% efficiency) | Colour | Hardness (°Shore) | max. Grain (mm) | Pump pressure (bar) | Length/ Ø Stator (mm) | Length Rotor without pin (mm) | Design Rotor head |
|---------|------------------|--|--------|-------------------|-----------------|---------------------|-----------------------|-------------------------------|-------------------|
| 1L6     | SP 5             | 14.8                                   | yellow | 50                | 6               | 15                  | 270 / 100             | 350                           | Slot S16          |
| 2L4     | P4               | 5.3                                    | yellow | 50                | 4               | 20                  | 360 / 75              | 407                           | Slot              |
| 2L4     | P4               | 5.3                                    | red    | 72                | 4               | 25                  | 360 / 75              | 407                           | Slot              |
| 2L4     | P4               | 5.3                                    | green  | 72                | 4               | 25                  | 360 / 75              | 407                           | Slot              |
| D3      | TS3              | 10                                     | red    | 72                | 4               | 25                  | 315 / 70              | 379                           | Slot              |
| D3      | TS3              | 10                                     | green  | 72                | 4               | 25                  | 315 / 70              | 379                           | Slot              |
| D5*     | MS-x, S 5        | 12                                     | brown  | 65                | 4               | 20                  | 350 / 90              | 400                           | Slot              |
| 3L7     | SP 11 BUR        | 17                                     | yellow | 50                | 6               | 40                  | 534 / 100             | 620                           | Slot 16           |
| 3L7     | SP 11 BUR        | 17                                     | yellow | 75                | 6               | 40                  | 534 / 100             | 620                           | Slot 16           |
| 3D7     | UMP              | 17                                     | red    | 71                | 6               | 40                  | 534 / 100             | 620                           | Slot 16           |
| 2L6     | FMP              | 17                                     | yellow | 50                | 6               | 25                  | 540 / 100             | 620                           | Slot 12           |
| 2L88    | FUMP 70          | 21                                     | brown  | 50                | 6               | 25                  | 540 / 100             | 620                           | Slot 14           |
| 2L88    | UMP              | 21                                     | brown  | 50                | 6               | 25                  | 540 / 100             | 620                           | Bore              |
| 2L74    | P11 SDVF         | 63                                     | blue   | 55                | 8               | 25                  | 670 / 124             | 620                           | Bore              |
| 2D8     | FUMP, SP 11 E    | 45.9                                   | red    | 72                | 4               | 25                  | 600 / 145             | 570                           | Slot              |
| 1,5L8   | S8               | 123                                    | yellow | 50                | 10              | 15                  | 660 / 190             | 747                           | Bore              |
| N13 S   | MP 10 / 12 / 15  | 3.8                                    | grey   | 73                | 4               | 30                  | 160 / 60              | 206                           | Slot              |
| N13 S ½ | MP 15            | 1.9                                    | yellow | 73                | 3               | 30                  | 160 / 60              | 206                           | Slot              |

## Self levelling floor screed pump SP 11 THF

| Type  | Delivery quantity (l/min) | l/min at 100 UpM**<br>(75% efficiency) | Colour | Hardness (°Shore) | max. Grain (mm) | Pump pressure (bar) | Length/ Ø Stator (mm) | Length Rotor without pin (mm) | Design Rotor head |
|-------|---------------------------|--|--------|-------------------|-----------------|---------------------|-----------------------|-------------------------------|-------------------|
| 2L54* | 0–105                     | 24                                     | grey   | 55                | 10              | 25                  | 535 / 124             | 620                           | Slot 16           |
| 2L54* | 0–105                     | 24                                     | silver | 72                | 8               | 25                  | 535 / 124             | 620                           | Slot 16           |
| 2L74  | 0–200                     | 45.8                                   | blue   | 55                | 8               | 25                  | 670 / 124             | 746                           | Bore              |
| 2L74* | 0–200                     | 45.8                                   | blue   | 72                | 8               | 25                  | 670 / 124             | 746                           | Slot 16           |
| 2L75  | 0–200                     | 75                                     | grey   | 55                | 8               | 20                  | 670 / 124             | 746                           | Bore              |
| 2L75* | 0–200                     | 75                                     | grey   | 55                | 8               | 20                  | 670 / 124             | 746                           | Slot 16           |

## Self levelling floor screed pumps SP 20 also for EstrichBoy FHS

| Type    | l/min at 100 UpM**<br>(75% efficiency) | Colour | Hardness (°Shore) | max. Grain (mm) | Pump pressure (bar) | Length/ Ø Stator (mm) | Length Rotor without pin (mm) | Design Rotor head |
|---------|--|--------|-------------------|-----------------|---------------------|-----------------------|-------------------------------|-------------------|
| 7515    | 83                                     | white  | 63                | 8               | 35                  | 500 / 159             | 623                           | hexagonal         |
| 7515 SL | 83                                     | white  | 63                | 8               | 35                  | 500 / 159             | 623                           | hexagonal         |
| 2L8     | 150                                    | white  | 63                | 10              | 25                  | 650 / 194             | 740                           | hexagonal         |
| 2L8 SL  | 150                                    | white  | 63                | 10              | 25                  | 650 / 194             | 740                           | hexagonal         |

| Stator Art. No. | Rotor Art. No. | Clamping jacket Art. No. |
|-----------------|----------------|--------------------------|
| 214 536.001     | 214 537.000    | 422 747                  |
| 010 325.005     | 010 321.009    | 010 329.001              |
| 010 326.004     | 010 321.009    | 010 329.001              |
| 010 677.009     | 010 321.009    | 010 329.001              |
| 072 996.003     | 072 997.002    | 073 487.003              |
| 201 175.006     | 072 997.002    | 073 487.003              |
| 070 352.005     | 070 351.006    | 206 848.008              |
| 213 638.007     | 211 278.003    | maintenance-free         |
| 211 503.008     | 211 278.003    | maintenance-free         |
| 208 276.005     | 208 263.005    | maintenance-free         |
| 211 355.007     | 010 628.003    | 010 433.007              |
| 203 509.007     | 208 316.004    | 010 433.007              |
| 203 509.007     | 422 650        | 010 433.007              |
| 206 396.000     | 206 395.001    | maintenance-free         |
| 208 537.003     | 208 467.005    | maintenance-free         |
| 070 162.004     | 200 770.004    | 073 827.003              |
| 506 905         | 506 867        | –                        |
| 602 970         | 602 971        | –                        |



2L75 grey

2L74 blue

2L54 silver



2L88

2L6

2L6 maintenance-free

| Stator Art. No. | Rotor Art. No. | Clamping jacket Art. No. |
|-----------------|----------------|--------------------------|
| 523 235         | 211 739.005    | integrated               |
| 211 738.006     | 211 739.005    | integrated               |
| 206 396.000     | 206 395.001    | maintenance-free         |
| 213 018.009     | 212 506.004    | integrated               |
| 487 262         | 487 261        | integrated               |
| 502 911         | 500 516        | maintenance-free         |



Clamping jacket

3L7

2L8

| Stator Art. No. | Rotor Art. No. | Clamping jacket Art. No. |
|-----------------|----------------|--------------------------|
| 525 052         | 433 023        | maintenance-free         |
| H70 0075 1403   | 433 023        | integrated               |
| H70 0050 8312   | H70 0050 8021  | maintenance-free         |
| H70 0050 8311   | H70 0050 8021  | integrated               |



N13 S

= Standard equipment

\* Conversion necessary depending on material, consistency, pumping distance and pressure  
 \*\*



## P 13 mixing - pumping - spraying

Robust and service-friendly for the most challenging site mixes in the world

**Large mixer 170 l**  
for excellent mixing quality

**Engine, compressor and gearbox**  
are very good protected



**Robust, powerful piston pump (KA 230)**  
for even pumpable sand

**Delivery performance**  
regulated mechanically  
over 3 settings

Plaster/Fine plaster

- **Site mixes**  
(lime-gypsum, lime cement plaster)
- **Interior and exterior plaster**  
(coloured, cement and lime cement plaster, scratch plasters)



Shotcrete

- **Shotcreting,**  
max. grain size 8 mm



Fine grained concrete

- **Fine grained concrete,**  
max. grain size 8 mm



Special applications

- Grouting, filling, masonry and cement mortar
- Bentonite slurry
- Pumpable sand (e.g. crushed sand, dune sand, washed river or lake sand, desert sand, etc.) with max. grain size of 8 mm
- Self levelling floor screed

| Equipment standard / option:            | P 13 DMR                 |
|---|--------------------------|
| Cleaning tool                           | ■                        |
| Grease cartridge                        | ■                        |
| Instruction manual and spare parts list | ■                        |
| Lever press with hose                   | ■                        |
| Manometer with t-connection             | ■                        |
| Pneumatic remote control                | ■                        |
| Spray gun V 35, short                   | ■                        |
| Standard colour paintwork               | ■                        |
| Standard tool                           | ■                        |
| Vibrating screen                        | ■                        |
| Chassis with brakes                     | <input type="checkbox"/> |
| Water metering                          | <input type="checkbox"/> |

– Not available  Option  Standard

\* The delivery rate depends on the pump model, and can vary in accordance with the pump used.

\*\* The data is based on experience and depends on the materials used.



### Powerful piston pump that can convey the most challenging materials

- Extremely hard-wearing single piston pump KA 230 can even process sand with a grain size of 10 mm
- KA 139 and KA 230 can be fitted with pump heads of different sizes, depending on the material quality
- Robust plate canopy protects the engine, compressor and gearbox



### Two powerful mechanical drive variants – electric or diesel

- DMR version with air-cooled 2-cylinder diesel engine (12.5 kW) – reliable and robust, with road or site chassis
- EMR version with 400 V electric motor (7.5 kW) – particularly quiet, maintenance-free operation



### Efficient mixer/hopper unit

- Large mixer with discharge flap achieves an excellent mixing quality
- Mechanically driven vibrating screen separates material with an excessive grain size and foreign objects
- Additional agitator in the mortar hopper prevents the material from settling
- Cleaning port inside the hopper for quick and easy cleaning



### Extremely durable, practical design

- Built for the most challenging site mixes in the world
- Good accessibility – service and maintenance-friendly
- Output can be regulated mechanically (3 settings)
- Wear-resistant components such as hard chrome plated cylinders reduce operating costs



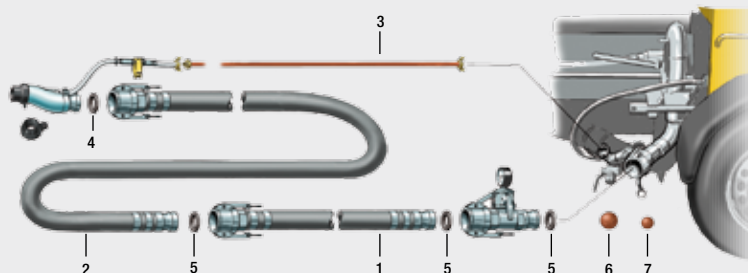
| Technical data          | P 13 DMR KA 139  | P 13 DMR KA 230 | P 13 EMR KA 139                         | P 13 EMR KA 230 |
|-------------------------|--|-----------------|---|-----------------|
| Part no.                | 111 632.XXX depending on the configuration of the machine  |                 |   |                 |
| Mixer                   | 170 l  | 170 l           | 170 l                                   | 170 l           |
| Hopper volume           | 200 l  | 200 l           | 200 l                                   | 200 l           |
| Delivery rate (theor.)* | 20-80 l/min  | 30-90 l/min     | 20-80 l/min                             | 30-90 l/min     |
| Delivery pressure       | 40 bar   | 40 bar          | 40 bar                                  | 40 bar          |
| Delivery range**        | 150 m horizontal, 80 m vertical – with plaster/fine plaster site mix 60 m horizontal and 40 m vertical |                 |   |                 |
| Compressor              | 2-cylinder, 3.5 bar, 300 l/min   |                 |   |                 |
| Mechanical piston pump  | KA 139   | KA 230          | KA 139                                  | KA 230          |
| Drive                   | 2-cylinder diesel engine, 12.5 kW at 2,800 rpm   |                 | Electric motor 400 V 7.5 kW at 2900 rpm |                 |
| Piston stroke           | 130 mm   | 130 mm          | 130 mm                                  | 130 mm          |
| Piston diameter         | 100 mm   | 100 mm          | 100 mm                                  | 100 mm          |
| Weight                  | 990 kg (without brake) - 1,040 kg (with brake)   |                 |   |                 |
| Length × width × height | 3,000 × 1,640 × 1,450 mm (without brake) - 3,640 × 1,566 × 1,575 mm (with brake)                       |                 |   |                 |
| Filling height          | 1,300 mm   | 1,300 mm        | 1,300 mm                                | 1,300 mm        |
| Maximum particle size   | 6 mm   | 8 mm            | 6 mm                                    | 8 mm            |
| Chassis                 | unbraked or optional chassis with brake available  |                 |   |                 |
| Fuse                    | –  | –               | 20 A                                    | 20 A            |
| Pressure connection     | M 50   | M 50            | M 50                                    | M 50            |

# Accessories P 13

## Standard mortar line



**Complete set, part no. 533 036**  
**≈ 40 m long, consisting of:**



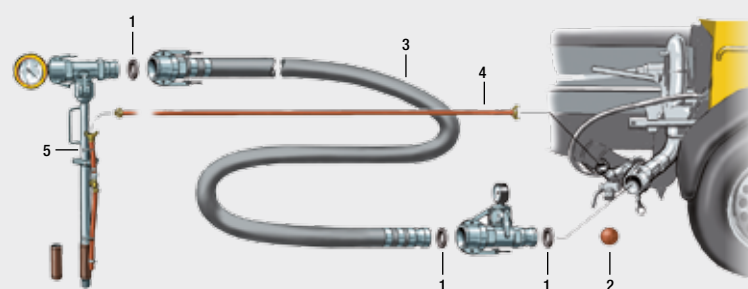
| Part                                       | Part no.    | Fig. |
|--|-------------|------|
| 2× Mortar hose, 13.3 m, ID 50, M 50 / V 50 | 501 914     | 1    |
| 1× Mortar hose, 13.3 m, ID 50, M 35 / V 50 | 207 616.006 | 2    |
| 1× Air hose 40 m, ½"                       | 214 734.007 | 3    |
| 5× Seal ID 35                              | 213 725.004 | 4    |
| 5× Seal ID 50                              | 213 266.000 | 5    |
| 5× Sponge ball Ø 60 mm                     | 000 212.005 | 6    |
| 5× Sponge ball Ø 45 mm                     | 065 044.001 | 7    |
| 3× Hose holder, leather                    | 000 206.008 |      |

| Optional accessories                   | Part no.    | Fig. |
|--|-------------|------|
| 1× PM grout, 18 l storage tank, 25 pcs | 266 743.004 |      |

## Accessories for injection



**Complete set, part no. 533 037**  
**≈ 40 m long, consisting of:**



| Part  | Part no.    | Fig. |
|---|-------------|------|
| 5× Seal ID 50   | 213 266.000 | 1    |
| 3× Mortar hose, 13.3 m, ID 50, V 50 / M 50  | 501 914     | 3    |
| 5× Sponge ball Ø 60 mm  | 000 212.005 | 2    |
| 2× Air hose 40 m, ½"  | 214 734.007 | 4    |
| 1× Injection nozzle cpl. with T-piece, Pressure gauge, remote control air valve, Coupling with spout ID 50, Mounted expanding collar D 45 and collar D 38 | 001 128.004 | 5    |
| 1× Hose holder, leather   | 000 206.008 |      |

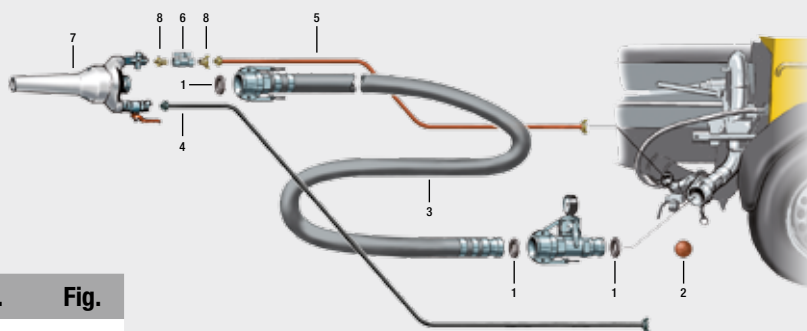
| Optional accessories                   | Part no.    | Fig. |
|--|-------------|------|
| 1× PM grout, 18 l storage tank, 25 pcs | 266 743.004 |      |

### Accessories for the injection of concrete, max. 40 bar, ≤ 8 mm grain size



**Complete set, part no. 543 144**  
**≈ 40 m long, consisting of:**

| Part                                       | Part no.    | Fig. |
|--|-------------|------|
| 5× Seal ID 50                              | 213 266.000 | 1    |
| 5× Sponge ball Ø 60 mm                     | 000 212.005 | 2    |
| 3× Mortar hose, 13.3 m, ID 50, V 50 / M 50 | 501 914     | 3    |
| 1× Air hose 20 m, 3/4"                     | 416 015     | 4    |
| 1× Air hose 1/2", 40 m                     | 214 734.007 | 5    |
| 1× Ball valve 1/2"                         | 207 792.001 | 6    |
| 1× Concrete spray gun, V 50, 30 mm         | 072 157.004 | 7    |
| 2× Geka coupling 1/2" AG                   | 014 068.009 | 8    |
| 1× Hose holder, leather                    | 000 206.008 |      |
| Optional accessories                       | Part no.    | Fig. |
| 1× PM grout, 18 l storage tank, 25 pcs     | 266 743.004 |      |

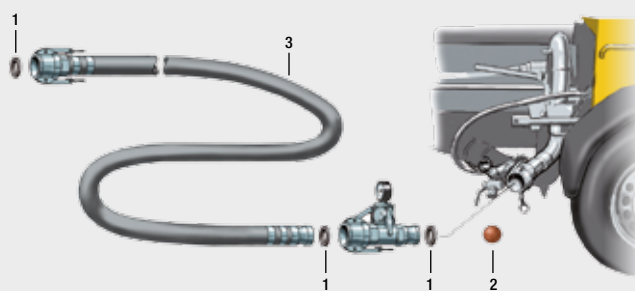


### Accessories for self levelling floor screed



**40 m long, consisting of:**

| Part                                       | Part no.    | Fig. |
|--|-------------|------|
| 5× Seal ID 50                              | 213 266.000 | 1    |
| 5× Sponge ball Ø 60 mm                     | 000 212.005 | 2    |
| 3× Mortar hose, 13.3 m, ID 50, V 50 / M 50 | 501 914     | 3    |
| 1× Hose holder, leather                    | 000 206.008 |      |
| Optional accessories                       | Part no.    | Fig. |
| 1× PM grout, 18 l storage tank, 25 pcs     | 266 743.004 |      |





Self levelling floor screed

- Calcium sulphate screed
- Cement floor screed



Shotcrete

- Shotcrete



Fine grained concrete

- Conveying fine grained concrete
- Grouting work



## P 715

Reliable, powerful and mobile for a wide range of applications

### Maintenance and service-friendly

everything is protected below the canopy

### Operating panel

ergonomical on one side



**Large hopper 280 l**  
with rubber collar and protective grid

**Piston pump unit**  
extremely robust

### Chassis for road use

with autom. brake adjustment

### Supporting feet

for secure stability

| Equipment standard / option:             | P 715 |
|--|-------|
| Automatic brake adjustment               | ■     |
| Car fuse                                 | ■     |
| Clamp coupling with sealing 4,5"         | ■     |
| Cleaning tool                            | ■     |
| Instruction manual and spare parts list  | ■     |
| Protective grid                          | ■     |
| Protective helmet                        | ■     |
| Rubber collar                            | ■     |
| Tool box with tool                       | ■     |
| Vibrator                                 | ■     |
| Additive dosage                          | □     |
| Air vessel (self levelling floor screed) | □     |
| Cable remote control                     | □     |
| Central lubrication system               | □     |
| Chassis 2,5 t                            | □     |
| Customer labelling                       | □     |
| Exhaust flap                             | □     |
| Flushing water pump                      | □     |
| High-pressure cleaner                    | □     |
| Lifting eye                              | □     |
| Light holder 24 V                        | □     |
| Particle filter                          | □     |
| Radio remote control                     | □     |
| Special canopy paint in RAL colours      | □     |
| Stroke counter                           | □     |
| Working light                            | □     |
| Zero report for hopper                   | □     |

– Not available □ Option ■ Standard



### Uncompromising versatility

- Processing self levelling floor screed, fine grained concrete and shotcrete with a maximum particle size of 16 mm
- The concrete pressure can be adjusted to 40 or 68 bar using a hand lever, depending on the material and delivery line
- Lightweight, roadworthy T-chassis (trailer version) and sturdy lifting eye for easy transportation and effortless manoeuvring



### Two drive versions – electric motor or diesel engine

- Reliable oil-cooled 3-cylinder Deutz diesel engine complies with exhaust emission regulation COM III
- Abundant power, even at lower speeds – preserves the aggregate and saves on fuel
- Also available with low-noise, environmentally friendly electric motor (30 kW)



### High-quality processing for greater working efficiency

- Operating and control elements are ergonomically and logically positioned on one side
- Lightweight plastic canopy with smooth painted finish, stainless and easy to clean
- Electrophoretic painting on body reliably protects against rust
- Hopper folds to the side to give access to the agitator



### Low-wearing, versatile piston pump

- Hard chrome plated cylinders, spectacle wear plate made from tempered steel, self-sealing self-adjusting ring and S transfer tube minimise wear
- Low set agitator ensures homogeneous mixing quality
- Reliable hydraulic control for greater efficiency



| Technical data             | P 715 TD   | P 715 SD                 | P 715 TE                           | P 715 SE                 |
|----------------------------|--|--------------------------|------------------------------------|--------------------------|
| Part no.                   | 111 591.5XX  | 111 591.6XX              | 111 591.7XX                        | 111 591.8XX              |
| Hopper volume              | 250 l / 280 l (with rubber attachment collar)  |                          |                                    |                          |
| Theoretical delivery rate* | 4-17.4 m <sup>3</sup> /h   | 4-17.4 m <sup>3</sup> /h | 4-18.2 m <sup>3</sup> /h           | 4-18.2 m <sup>3</sup> /h |
| Delivery pressure          | 68 bar   | 68 bar                   | 68 bar                             | 68 bar                   |
| Delivery range**           | max. 300 m horizontal and 100 m vertical, with shotcrete max. 100 m horizontal and 80 m vertical |                          |                                    |                          |
| Piston pump                | Hydraulic, 2-cylinder  |                          |                                    |                          |
| Cylinder diameter          | 150 mm   | 150 mm                   | 150 mm                             | 150 mm                   |
| Drive                      | 3-cylinder Deutz diesel engine, 34.5 kW  |                          | 30 kW electric motor, 400 V, 50 Hz |                          |
| Drive cylinder diameter    | 80/45 mm   | 80/45 mm                 | 80/45 mm                           | 80/45 mm                 |
| Piston stroke              | 700 mm   | 700 mm                   | 700 mm                             | 700 mm                   |
| Min. strokes               | 27   | 27                       | 27                                 | 27                       |
| Weight                     | 1,850 kg   | 1,700 kg                 | 1,800 kg                           | 1,650 kg                 |
| Length × width × height    | 4,600 x 1,520 x 1,750 mm   | 2,950 x 1,400 x 1,550 mm | 4,600 x 1,520 x 1,650 mm           | 2,950 x 1,400 x 1,400 mm |
| Filling height             | 1,180 mm   | 973 mm                   | 1,180 mm                           | 973 mm                   |
| Maximum particle size      | 16 mm  | 16 mm                    | 16 mm                              | 16 mm                    |
| Machine model              | Trailer concrete pump  | Stationary pump          | Trailer concrete pump              | Stationary pump          |
| Chassis                    | T chassis 1,900 kg   | Runner                   | T chassis 1,900 kg                 | Runner                   |

\* The delivery rate depends on the pump model, and can vary in accordance with the pump used.

\*\* The data is based on experience and depends on the materials used.

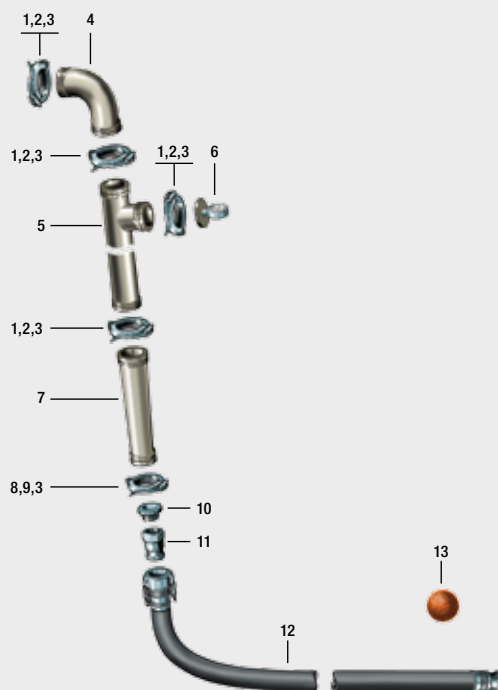
# Accessories P 715

Delivery line for mortar and self levelling floor screed, PM 50, 40 bar,  $\leq 8$  mm grain size

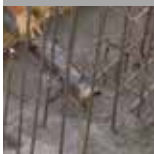


**Complete set, part no. 533 046**  
**Standard delivery line  $\approx 80$  m long, consisting of:**

| Part  | Part no.    | Fig. |
|---|-------------|------|
| 5× Clamp coupling, SK 4.5"                      | 431 613     | 1    |
| 5× Gasket, ID 100, 4.5"                         | 057 341.000 | 2    |
| 6× Securing cotter pin                          | 018 878.004 | 3    |
| 2× Delivery line bend, SK 100, 4.5", 90°        | 421 329     | 4    |
| 1× T-delivery pipe, SK 100, 4.5", 1 m           | 057 614.009 | 5    |
| 1× Pressure gauge, SK 100, 4.5", 100 bar        | 521 430     | 6    |
| 1× Reducer pipe, SK 100, 4.5"- SK 65, 3", 1.5 m | 238 508.002 | 7    |
| 1× Clamp coupling, SK 3"                        | 417 798     | 8    |
| 1× Gasket, ID 65, 3"                            | 064 084.004 | 9    |
| 1× Transition piece SK 50 / RA 2"               | 082 784.001 | 10   |
| 1× PM coupling V 50, RI 2"                      | 205 273.001 | 11   |
| 6× Mortar hose, ID 50, 40 bar, 13.3 m           | 501 914     | 12   |
| 6× Sponge ball $\varnothing$ 60 mm              | 000 212.005 |      |
| 1× Lid  | 057 627.009 |      |

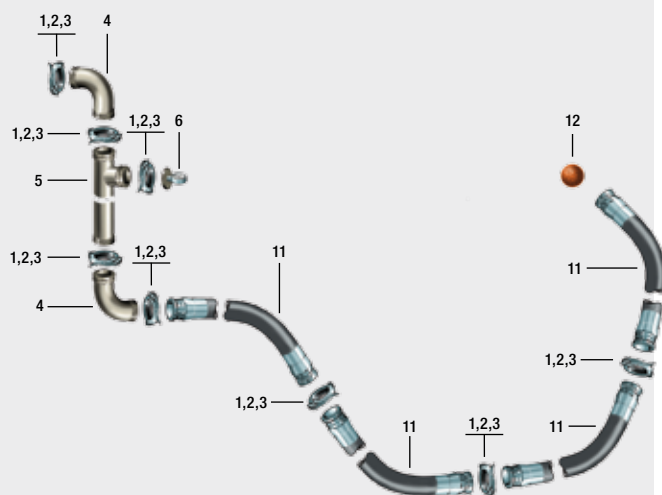


Flexible delivery line for fine concrete, mortar, self levelling floor screed, ID 100 / 4.5", 85 bar,  $\leq 16$  mm grain size



**Complete set, part no. 533 049**  
**Standard delivery line  $\approx 50$  m long, consisting of:**

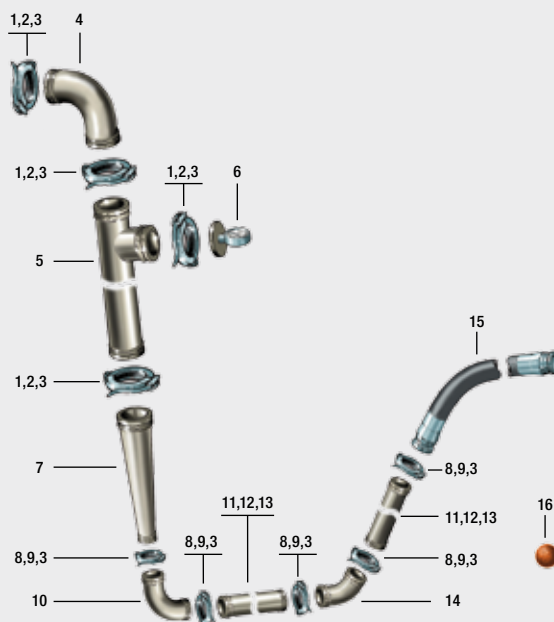
| Part                                      | Part no.    | Fig. |
|---|-------------|------|
| 22× Clamp coupling, SK 4.5"               | 431 613     | 1    |
| 22× Gasket, ID 100, 4.5"                  | 057 341.000 | 2    |
| 22× Securing cotter pin                   | 018 878.004 | 3    |
| 2× Delivery line bend, SK 100, 90°, 4.5"  | 421 329     | 4    |
| 1× T-delivery pipe SK 100, 4.5", 1,000 mm | 057 614.009 | 5    |
| 1× Pressure gauge, SK 100, 4.5", 100 bar  | 521 430     | 6    |
| 18× Delivery hose SK 100, 4.5", 2,850 mm  | 253 319.001 | 11   |
| 6× Sponge ball $\varnothing$ 120 mm       | 016 091.003 | 12   |
| 1× Lid                                    | 057 627.009 |      |



**Delivery line for fine concrete, mortar, and self levelling floor screed, SK 50, 60 bar, ≤ 8 mm grain size**


**Complete set, part no. 533 038**  
**Standard delivery line ≈ 100 m long, consisting of:**

| Part  | Part no.    | Fig. |
|---|-------------|------|
| 4× Clamp coupling, SK 4.5"                  | 431 613     | 1    |
| 4× Gasket, ID 100, 4.5"                     | 057 341.000 | 2    |
| 55× Securing cotter pin                     | 018 878.004 | 3    |
| 1× Delivery line bend, SK 100, 4.5", 90°    | 421 329     | 4    |
| 1× T-delivery pipe SK 100, 4.5", 1,000 mm   | 057 614.009 | 5    |
| 1× Pressure gauge, SK 100, 4.5", 100 bar    | 521 430     | 6    |
| 1× Reducer pipe 100, 50-4.5" / 3", 1,500 mm | 238 508.002 | 7    |
| 45× Clamp coupling, SK, 3"                  | 417 798     | 8    |
| 55× Gasket, ID 65, 3"                       | 064 084.004 | 9    |
| 4× Delivery bend pipe, 50, 3", 90°          | 081 777.006 | 10   |
| 2× Delivery pipe SK 50, 3", 3,000 mm        | 081 783.003 | 11   |
| 4× Delivery pipe SK 50, 3", 2,000 mm        | 081 784.002 | 12   |
| 30× Delivery pipe SK 50, 3", 3,000 mm       | 081 785.001 | 13   |
| 1× Lid                                      | 057 627.009 |      |

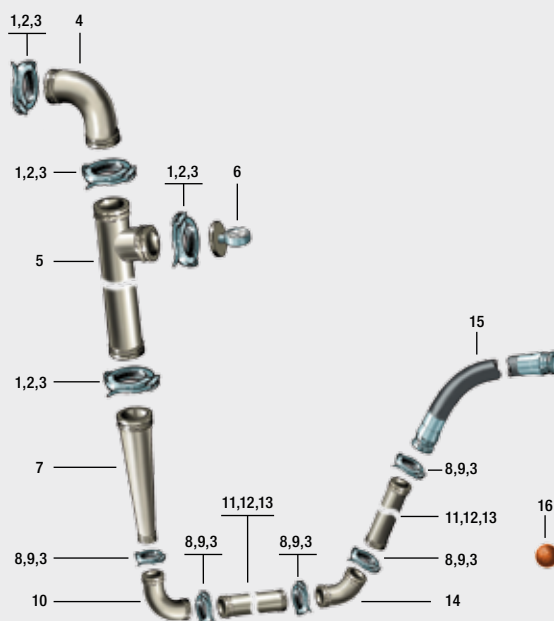


| Part                                     | Part no.    | Fig. |
|--|-------------|------|
| 4× Delivery line bend, SK 50, 3", 45°    | 081 779.004 | 14   |
| 1× Delivery hose 3", SK 50, 3", 2,000 mm | 481 169     | 15   |
| 6× Sponge ball Ø 60 mm                   | 000 212.005 | 16   |

**Delivery line for fine concrete, mortar, and self levelling floor screed, SK 65, 85 bar, ≤ 12 mm grain size**


**Complete set, part no. 533 042**  
**Standard delivery line ≈ 100 m long, consisting of:**

| Part  | Part no.    | Fig. |
|---|-------------|------|
| 4× Clamp coupling, SK 4.5"                  | 431 613     | 1    |
| 4× Gasket, ID 100, 4.5"                     | 057 341.000 | 2    |
| 49× Securing cotter pin                     | 018 878.004 | 3    |
| 1× Delivery line bend, SK 100, 4.5", 90°    | 421 329     | 4    |
| 1× T-delivery pipe SK 100, 4.5", 1,000 mm   | 057 614.009 | 5    |
| 1× Pressure gauge, SK 100, 4.5", 100 bar    | 521 430     | 6    |
| 1× Reducer pipe 100, 65-4.5" / 3", 1,000 mm | 224 269.009 | 7    |
| 44× Clamp coupling, SK 3"                   | 417 798     | 8    |
| 44× Gasket, ID 65, 3"                       | 064 084.004 | 9    |
| 4× Delivery line bend, SK 65, 3", 90°       | 057 756.006 | 10   |
| 2× Delivery pipe SK 65, 3", 3,000 mm        | 057 727.006 | 11   |
| 4× Delivery pipe SK 65, 3", 2,000 mm        | 057 728.005 | 12   |
| 29× Delivery pipe SK 65, 3", 3,000 mm       | 057 729.004 | 13   |
| 1× Lid                                      | 057 627.009 |      |



| Part                                  | Part no.    | Fig. |
|---------------------------------------|-------------|------|
| 4× Delivery line bend, SK 65, 3", 45° | 057 758.004 | 14   |
| 1× Delivery hose SK 65, 3", 5,000 mm  | 535 521     | 15   |
| 6× Sponge ball Ø 80 mm                | 000 246.000 | 16   |

# Accessories P 715

High-pressure concrete injection line, SK 65/SK 50, 3", max. 85 bar, ≤ 10 mm grain size

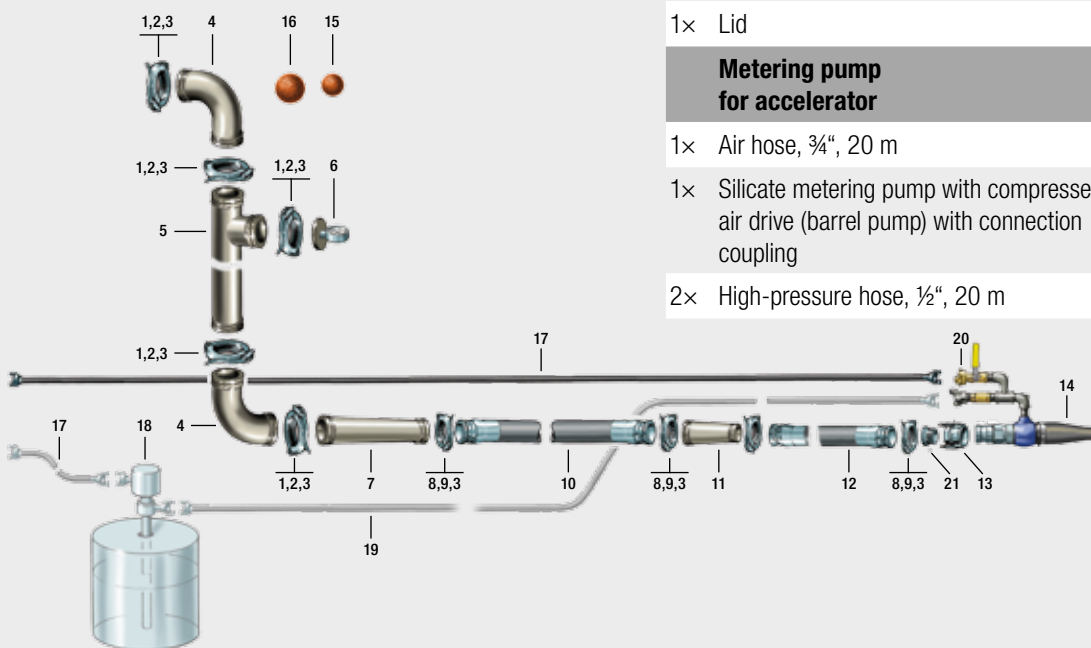


**Complete set, part no. 533 048**  
**Standard delivery line ≈ 60 m long,**  
**consisting of:**

| Part   | Part no.    | Fig. |
|--|-------------|------|
| 4× Clamp coupling SK 4.5"                      | 431 613     | 1    |
| 4× Gasket, ID 100, 4.5"                        | 057 341.000 | 2    |
| 30× Securing cotter pin                        | 018 878.004 | 3    |
| 1× Delivery line bend, SK 100, 4.5", 90°       | 421 329     | 4    |
| 1× T-delivery pipe SK 100, 4.5", 1,000 mm      | 057 614.009 | 5    |
| 1× Pressure gauge, SK 100, 4.5", 100 bar       | 521 430     | 6    |
| 1× Reducer pipe SK 100, 4.5" – SK 65 / 3", 1 m | 224 269.009 | 7    |
| 16× Clamp coupling, SK 3"                      | 417 798     | 8    |

| Part   | Part no.    | Fig. |
|--|-------------|------|
| 16× Gasket, ID 65, 3"  | 064 084.004 | 9    |
| 8× Delivery hose SK 65, 3", 5,000 mm                           | 535 521     | 10   |
| 1× Reducer pipe SK 65, 3" – SK 50, 3", 1,000 mm                | 058 670.000 | 11   |
| 4× Delivery hose SK 50, 3", 5,000 mm                           | 481 171     | 12   |
| 1× Transition piece, SK 50, 3" to 2", IG                       | 027 716.005 | 21   |
| 1× PM coupling, M 50, 2"                                       | 211 600.008 | 13   |
| 1× High-pressure concrete spray gun with rubber nozzle, 2", AG | 532 589     | 14   |
| 6× Sponge ball Ø 60 mm   | 000 212.005 | 15   |
| 6× Sponge ball Ø 80 mm   | 000 246.000 | 16   |
| 2× Air hose 3/4", 20 m   | 416 015     | 17   |
| 1× Replacement rubber nozzle                                   | 532 590     |      |
| 1× Geka 3/8" RA  | 041 403.006 | 20   |
| 1× Lid   | 057 627.009 |      |

| Metering pump for accelerator  | Part no.    | Fig. |
|--|-------------|------|
| 1× Air hose, 3/4", 20 m  | 416 015     | 17   |
| 1× Silicate metering pump with compressed air drive (barrel pump) with connection coupling | 002 423.009 | 18   |
| 2× High-pressure hose, 1/2", 20 m  | 001 983.003 | 19   |





**Concrete spray hose SK 65 / PM 50 / 3"; max. 40 bar, ≤ 8 mm grain size**

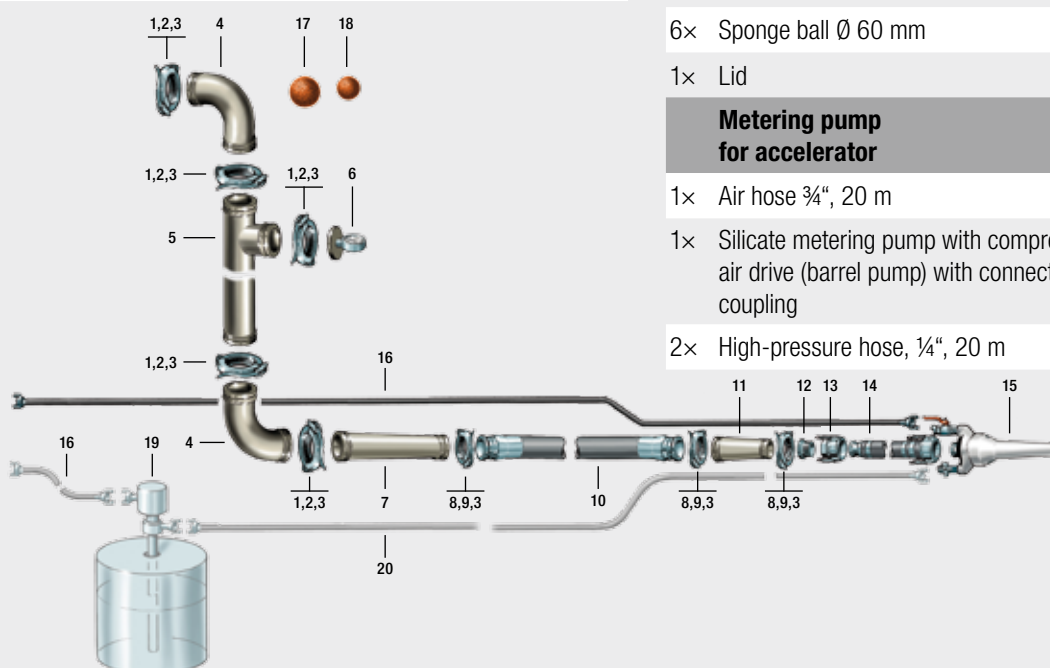

**Complete set, part no. 533 047**  
**Standard delivery line ≈ 50 m long,**  
**consisting of:**

| Part   | Part no.    | Fig. |
|--|-------------|------|
| 4× Clamp coupling, SK 4.5"                   | 431 613     | 1    |
| 4× Gasket, ID 100, 4.5"                      | 057 341.000 | 2    |
| 30× Securing cotter pin                      | 018 878.004 | 3    |
| 2× Delivery line bend, SK 100, 4.5", 90°     | 421 329     | 4    |
| 1× T-delivery pipe, SK 100, 4.5", 1 m        | 057 614.009 | 5    |
| 1× Pressure gauge, SK 100, 4.5", 100 bar     | 521 430     | 6    |
| 1× Reducer pipe, SK 100, 4.5"-SK 65, 3", 1 m | 224 269.009 | 7    |

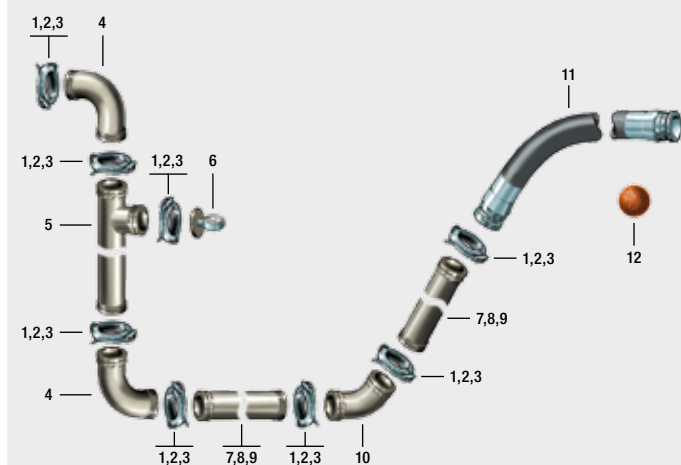
| Part  | Part no.    | Fig. |
|---|-------------|------|
| 11× Clamp coupling, SK 3"                       | 417 798     | 8    |
| 15× Gasket, ID 65, 3"                           | 064 084.004 | 9    |
| 8× Delivery hose, SK 65, 3", 5 m                | 535 521     | 10   |
| 1× Reducer pipe SK 65, 3" – SK 50, 3", 1,000 mm | 058 670.000 | 11   |
| 1× Transition piece                             | 027 716.005 | 12   |
| 1× PM coupling, M 50, 2"                        | 211 600.008 | 13   |
| 1× Mortar hose, ID 50 TS PN 40, 13 m            | 501 914     | 14   |
| 1× Concrete injection nozzle, V 50, 30 mm       | 072 157.004 | 15   |
| 2× Air hose 3/4", 20 m                          | 416 015     | 16   |
| 6× Sponge ball Ø 80 mm                          | 000 246.000 | 17   |
| 6× Sponge ball Ø 60 mm                          | 000 212.005 | 18   |
| 1× Lid  | 057 627.009 |      |

**Metering pump for accelerator**

| Part   | Art.-Nr.    | Fig. |
|--|-------------|------|
| 1× Air hose 3/4", 20 m   | 416 015     | 16   |
| 1× Silicate metering pump with compressed air drive (barrel pump) with connection coupling | 002 423.009 | 19   |
| 2× High-pressure hose, 1/4", 20 m  | 001 983.003 | 20   |


**Delivery line for fine concrete, SK 100 / 4.5", 85 bar, ≤ 16 mm grain size**


**Complete set, part no. 533 051**  
**Standard delivery line ≈ 100 m long,**  
**consisting of:**



| Part                                      | Part no.    | Fig. |
|---|-------------|------|
| 48× Clamp coupling, SK 4.5"               | 431 613     | 1    |
| 55× Gasket, ID 100, 4.5"                  | 057 341.000 | 2    |
| 55× Securing cotter pin                   | 018 878.004 | 3    |
| 4× Delivery line bend, SK 100, 90°, 4.5"  | 421 329     | 4    |
| 1× T-delivery pipe SK 100, 4.5", 1,000 mm | 057 614.009 | 5    |
| 1× Pressure gauge, SK 100, 4.5", 100 bar  | 521 430     | 6    |
| 30× Delivery pipe SK 100, 4.5", 3,000 mm  | 056 863.000 | 7    |
| 4× Delivery pipe SK 100, 4.5", 2,000 mm   | 056 862.001 | 8    |
| 2× Delivery pipe SK 100, 4.5", 1,000 mm   | 056 861.002 | 9    |
| 4× Delivery line bend, SK 100, 4.5", 45°  | 057 593.007 | 10   |
| 1× Delivery hose SK 100, 4.5", 2850 mm    | 253 319.001 | 11   |
| 6× Sponge ball Ø 120 mm                   | 016 091.003 | 12   |
| 1× Lid                                    | 057 627.009 |      |



## P 718

Compact, wear-resistant powerhouse for heavy-duty applications up to 32 mm grain size

**Maintenance and service-friendly**  
everything is protected below the canopy

**Chassis for road use**

**Supporting feet**  
for secure stability

**Operating panel**  
ergonomical on one side

**Large hopper**  
**280 l** with rubber collar and protective grid

**Piston pump unit**  
**extremely robust**



|                       |  |
|-----------------------|--|
| Shotcrete             | <ul style="list-style-type: none"> <li>■ <b>Shotcrete</b></li> </ul>                       |
|                       |  |
| Fine grained concrete | <ul style="list-style-type: none"> <li>■ <b>Concrete, max. 32 mm grain size</b></li> </ul> |
|                       |  |

| Equipment standard / option:            | P 718 |
|---|-------|
| Car fuse                                | ■     |
| Clamp coupling with sealing 4,5"        | ■     |
| Cleaning tool                           | ■     |
| Instruction manual and spare parts list | ■     |
| Lifting eye                             | ■     |
| Protective grid                         | ■     |
| Protective helmet                       | ■     |
| Rubber collar                           | ■     |
| Tool box with tool                      | ■     |
| Vibrator                                | ■     |
| Additive dosage                         | □     |
| Cable remote control                    | □     |
| Central lubrication system              | □     |
| Chassis 2,5 t                           | □     |
| Customer labelling                      | □     |
| Exhaust flap                            | □     |
| Flushing water pump                     | □     |
| High-pressure cleaner                   | □     |
| Light holder 24 V                       | □     |
| Particle filter                         | □     |
| Radio remote control                    | □     |
| Special canopy paint in RAL colours     | □     |
| Stroke counter                          | □     |
| Working lights                          | □     |
| Zero report for hopper                  | □     |

– Not available □ Option ■ Standard

### Sufficient power for coarse materials (32 mm grain size)

- Also suitable for conveying self levelling floor screed and shotcrete
- 70 bar pressure at low speed – preserves the aggregate and saves fuel
- Large hopper with capacity of 360 l
- Reliable hydraulic control for greater efficiency



### Minimal operating and maintenance costs

- Lightweight painted plastic canopy and electrophoretic painting on body do not rust and are easy to clean
- Easy access for cleaning, maintenance and service work such as checking the oil level



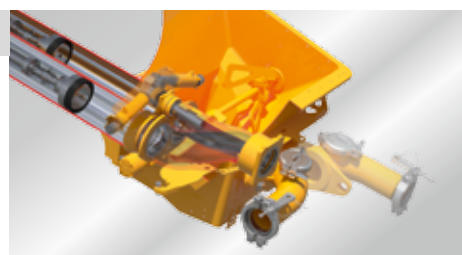
### Simple, clearly laid out, user-friendly

- Operating and control elements are ergonomically positioned within easy reach and visual range on one side
- Hopper folds to the side to give access to the agitator
- Lightweight, roadworthy T-chassis (trailer version) and sturdy lifting eye for easy transportation and effortless manoeuvring



### Wear-resistant, durable dual piston pump

- Hard chrome plated cylinders
- Spectacle wear plate made from tempered steel
- Self-sealing self-adjusting ring
- Geometry of the S transfer tube adapted to coarse materials



| Technical data             | P 718 TD   | P 718 SD  | P 718 TE                     | P 718 SE                 |
|----------------------------|--|---|------------------------------|--------------------------|
| Part no.                   | 111 514.5XX  | 111 514.XXX depending on each machine configuration |                              |                          |
| Hopper volume              | 360 l  | 360 l   | 360 l                        | 360 l                    |
| Theoretical delivery rate* | 4-17.4 m <sup>3</sup> /h   | 4-17.4 m <sup>3</sup> /h                            | 4-17.4 m <sup>3</sup> /h     | 4-17.4 m <sup>3</sup> /h |
| Delivery pressure          | 68 bar   | 68 bar  | 68 bar                       | 68 bar                   |
| Delivery range**           | max. 300 m horizontal and 100 m vertical, with shotcrete max. 100 m horizontal and 80 m vertical |   |                              |                          |
| Piston pump                | 2-cylinder, hydraulic  |   |                              |                          |
| Cylinder diameter          | 150 mm   | 150 mm  | 150 mm                       | 150 mm                   |
| Engine                     | 3-cylinder Deutz diesel, 34.5 kW   |   | 30 kW electric, 400 V, 50 Hz |                          |
| Drive cylinder diameter    | 80/45 mm   | 80/45 mm  | 80/45 mm                     | 80/45 mm                 |
| Piston stroke              | 700 mm   | 700 mm  | 700 mm                       | 700 mm                   |
| Min. strokes               | 27   | 27  | 27                           | 27                       |
| Weight                     | 2,320 kg   | 2,000 kg  | 2,260 kg                     | 1,940 kg                 |
| Length × width × height    | 4,644 x 1,560 x 1,790 mm   | 3,025 x 1,460 x 1,600 mm                            | 4,644 x 1,560 x 1,750 mm     | 3,025 x 1,460 x 1,450 mm |
| Filling height             | 1,180 mm   | 1,120 mm  | 1,180 mm                     | 1,120 mm                 |
| Maximum particle size      | 32 mm  | 32 mm   | 32 mm                        | 32 mm                    |
| Machine model              | Trailer concrete pump  | Stationary pump                                     | Trailer concrete pump        | Stationary pump          |
| Chassis                    | T chassis  | Runner  | T chassis                    | Runner                   |

\* The delivery rate depends on the pump model, and can vary in accordance with the pump used.

\*\* The data is based on experience and depends on the materials used.

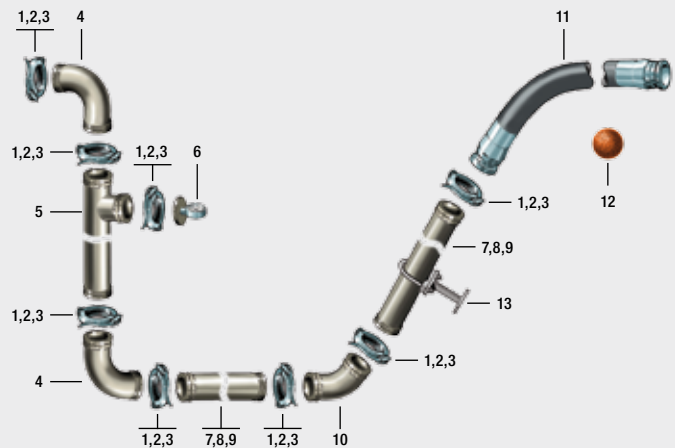
# Accessories P 718

Delivery line for fine concrete SK 125 / 5.5", 85 bar, ≤ 32 mm grain size



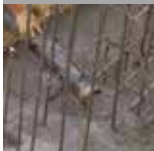
**Complete set, part no. 533 054**  
**Standard delivery line ≈ 100 m long,**  
**consisting of:**

| Part  | Part no.    | Fig. |
|---|-------------|------|
| 60× Clamp coupling, SK 5.5"                     | 417 249     | 1    |
| 60× Gasket, 5.5"                                | 055 559.001 | 2    |
| 60× Securing cotter pin                         | 018 878.004 | 3    |
| 6× Delivery line bend SK 125, 5.5" 90° r=275 HD | 261 402.007 | 4    |
| 1× T delivery pipe SK 125, 5.5" 1,000 mm        | 057 615.008 | 5    |
| 1× Pressure gauge, SK 125, 5.5" 100 bar         | 521 448     | 6    |
| 2× Delivery pipe SK 125, 5.5", 1,000 mm         | 056 849.008 | 7    |
| 2× Delivery pipe SK 125, 5.5", 2,000 mm         | 056 850.000 | 8    |
| 32× Delivery hose SK 125, 5.5", 3,000 mm        | 056 851.009 | 9    |
| 2× Delivery line bend SK 125, 5.5", 45°         | 057 596.004 | 10   |
| 2× Delivery line bend, SK 125, 5.5", 30°        | 258 935.008 | 10   |
| 4× Manual gate valve, GVM 2/2, 130 bar          | 433 497     | 11   |
| 6× Sponge ball Ø 150 mm                         | 018 841.002 | 12   |
| 6× Sponge ball Ø 150 mm, hard                   | 223 673.007 | 12   |
| 1× Lid  | 057 628.008 |      |
| 1× Support holder for end hose                  | 054 371.002 |      |



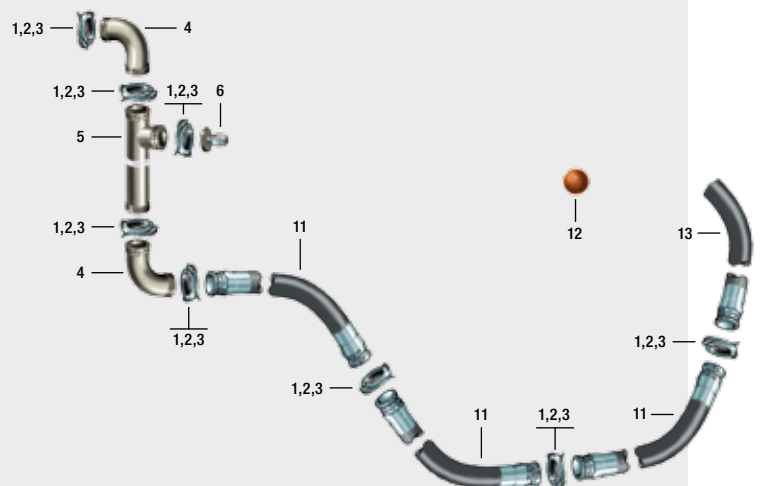
| Additional accessories                 | Part no.    | Fig. |
|--|-------------|------|
| 1× Manual gate valve, GVM 2/2, 130 bar | 413 087     |      |
| 1× Wash-out port lid, SK 125, 5.5"     | 057 619.004 |      |
| 1× PM grout, 18 l storage tank, 25 pcs | 266 743.004 |      |
| 1× Pipeline mount, wall and ground     | 051 038.005 | 13   |

Flexible delivery line for fine concrete SK 125 / 5.5", 85 bar, ≤ 32 mm grain size



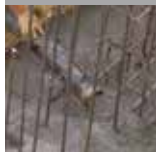
**Complete set, part no. 533 055**  
**Standard delivery line ≈ 100 m long,**  
**consisting of:**

| Part                                       | Part no.    | Fig. |
|--|-------------|------|
| 60× Clamp coupling, SK 5.5"                | 417 249     | 1    |
| 60× Gasket, 5.5"                           | 055 559.001 | 2    |
| 60× Securing cotter pin                    | 018 878.004 | 3    |
| 4× Delivery line bend, SK 125, 5.5" 90°    | 261 402.007 | 4    |
| 1× T delivery pipe, SK 125, 5.5", 1,000 mm | 057 615.008 | 5    |
| 1× Pressure gauge, SK 125, 5.5", 100 bar   | 521 448     | 6    |
| 5× Delivery hose SK 125, 5.5", 2,000 mm    | 027 643.000 | 11   |
| 18× Delivery hose SK 125, 5.5", 5000 mm    | 057 612.001 | 11   |
| 6× Sponge ball Ø 150 mm                    | 018 841.002 | 12   |
| 6× Sponge ball Ø 150 mm, hard              | 223 673.007 | 12   |
| 1× End hose SK 125, 5.5", 3,000 mm         | 233 649.005 | 13   |
| 1× Support holder for end hose             | 054 371.002 |      |
| 1× Lid                                     | 057 628.008 |      |



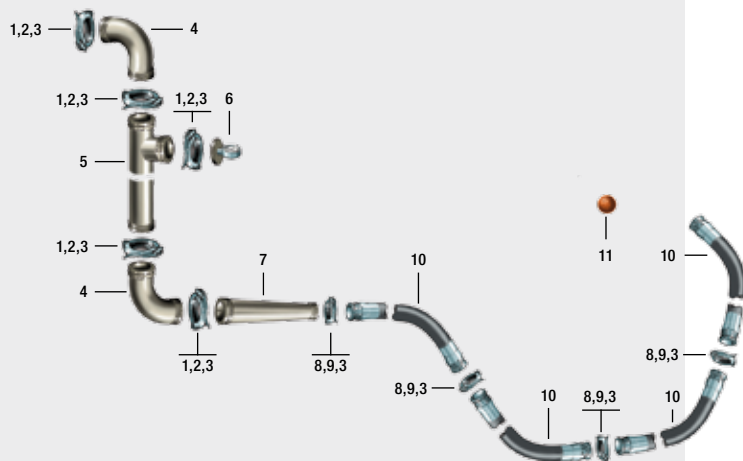
| Additional accessories                         | Part no.    | Fig. |
|--|-------------|------|
| 1× Wash-out port lid for T-delivery pipe, 5.5" | 057 619.004 |      |
| 1× Delivery hose SK 125, 5.5", 3,000 mm        | 433 497     | 11   |
| 1× Delivery hose SK 125, 5.5", 4000 mm         | 089 983.009 | 11   |
| 1× PM hose carriage, cpl.                      | 482 464     |      |
| 1× PM grout, 18 l storage tank, 25 pcs         | 266 743.004 |      |



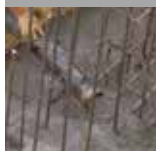
**Flexible delivery line for fine concrete SK 100 / 4.5", 85 bar, ≤ 16 mm grain size**


**Complete set, part no. 533 053**  
**Standard delivery line ≈ 100 m long,**  
**consisting of:**

| Part   | Part no.    | Fig. |
|--|-------------|------|
| 6× Clamp coupling, SK 5.5"                           | 417 249     | 1    |
| 6× Gasket, 5.5"                                      | 055 559.001 | 2    |
| 60× Securing cotter pin                              | 018 878.004 | 3    |
| 2× Delivery line bend SK 125, 5.5", 90°              | 261 402.007 | 4    |
| 1× T delivery pipe SK 125, 5.5" 1,000 mm             | 057 615.008 | 5    |
| 1× Pressure gauge, SK 125, 5.5" 100 bar              | 521 448     | 6    |
| 1× Reducer pipe SK 125, 5.5", SK 100, 4.5", 1,000 mm | 057 604.006 | 7    |
| 50× Clamp coupling, SK 100, 4.5"                     | 431 613     | 8    |
| 50× Gasket, ID 100, 4.5"                             | 057 341.000 | 9    |
| 18× Delivery hose SK 100, 4.5", 2850 mm              | 253 319.001 | 10   |
| 6× Sponge ball Ø 120 mm                              | 016 091.003 | 11   |
| 1× Lid   | 057 628.008 |      |

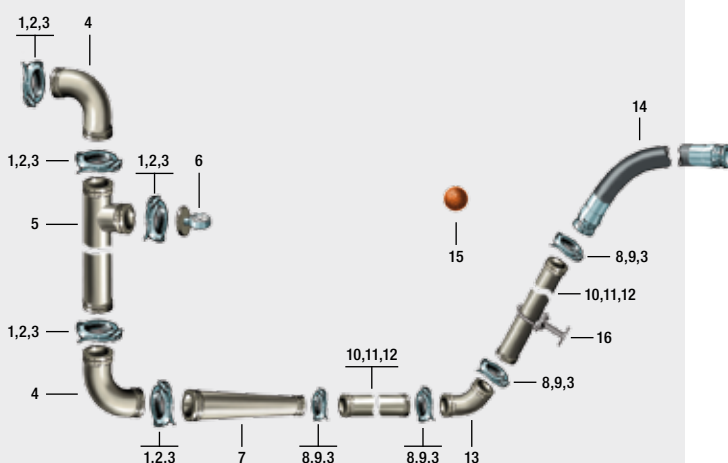


| Additional accessories                         | Part no.    | Fig. |
|--|-------------|------|
| 1× Wash-out port lid for T-delivery pipe, 5.5" | 057 619.004 |      |
| 1× PM grout, 18 l storage tank, 25 pcs         | 266 743.004 |      |
| Alternative                                    | Art.-Nr.    | Abb. |
| 1× Delivery hose SK 100, 4.5", 5,000 mm        | 057 609.001 | 10   |

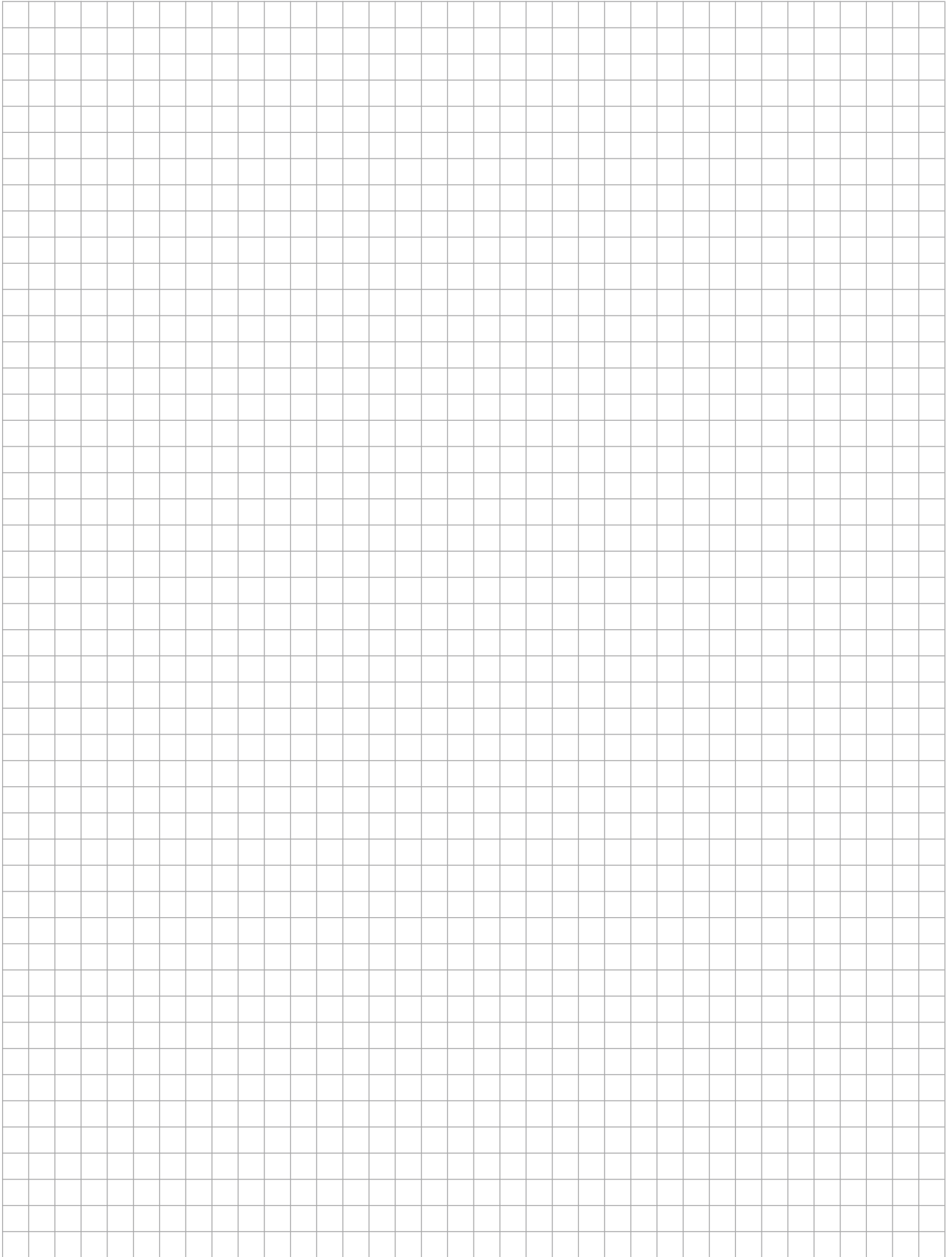
**Delivery line for fine concrete SK 100 / 4.5", 85 bar, ≤ 16 mm grain size**


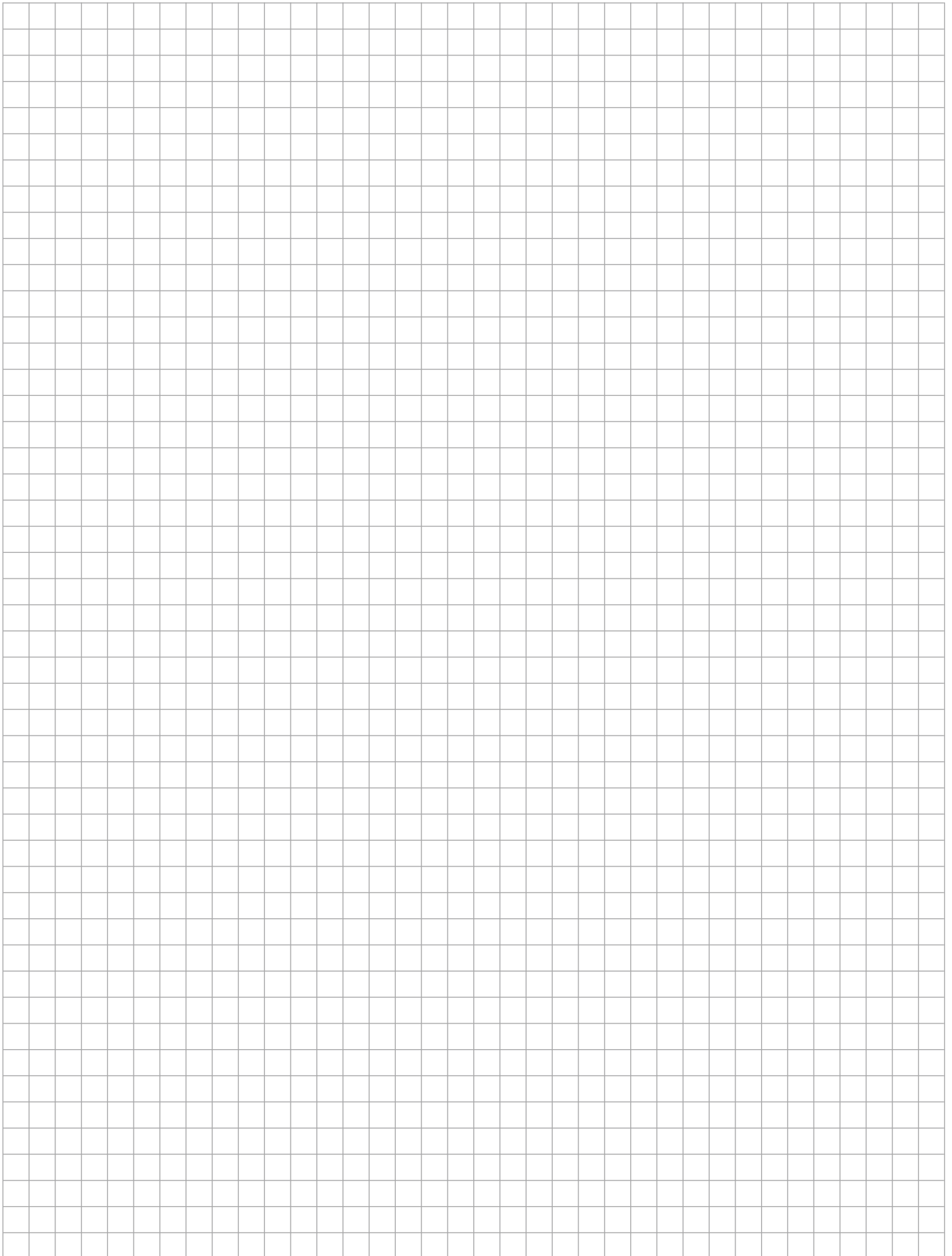
**Complete set, part no. 533 052**  
**Standard delivery line ≈ 50 m long,**  
**consisting of:**

| Part  | Part no.    | Fig. |
|---|-------------|------|
| 6× Clamp coupling, SK 5.5"                          | 417 249     | 1    |
| 6× Gasket, 5.5"                                     | 055 559.001 | 2    |
| 60× Securing cotter pin                             | 018 878.004 | 3    |
| 2× Delivery line bend, SK 5.5" 90°                  | 261 402.007 | 4    |
| 1× T delivery pipe SK 125, 5.5"; 1,000 mm           | 057 615.008 | 5    |
| 1× Pressure gauge, SK 125, 5.5" 100 bar             | 521 448     | 6    |
| 1× Reducer pipe SK 125, 5.5" SK 100, 4.5", 1,000 mm | 057 604.006 | 7    |
| 50× Clamp coupling, SK 4.5"                         | 431 613     | 8    |
| 50× Gasket, ID 100, 4.5"                            | 057 341.000 | 9    |
| 30× Delivery pipe SK 100, 4.5", 3,000 mm            | 056 863.000 | 10   |
| 4× Delivery pipe SK 100, 4.5", 2,000 mm             | 056 862.001 | 11   |
| 2× Delivery pipe SK 100, 4.5", 1,000 mm             | 056 861.002 | 12   |
| 4× Delivery line bend, SK 100, 4.5", 90°            | 421 329     | 13   |
| 4× Delivery line bend, SK 100, 4.5", 45°            | 057 593.007 | 13   |
| 1× Lid  | 057 628.008 |      |

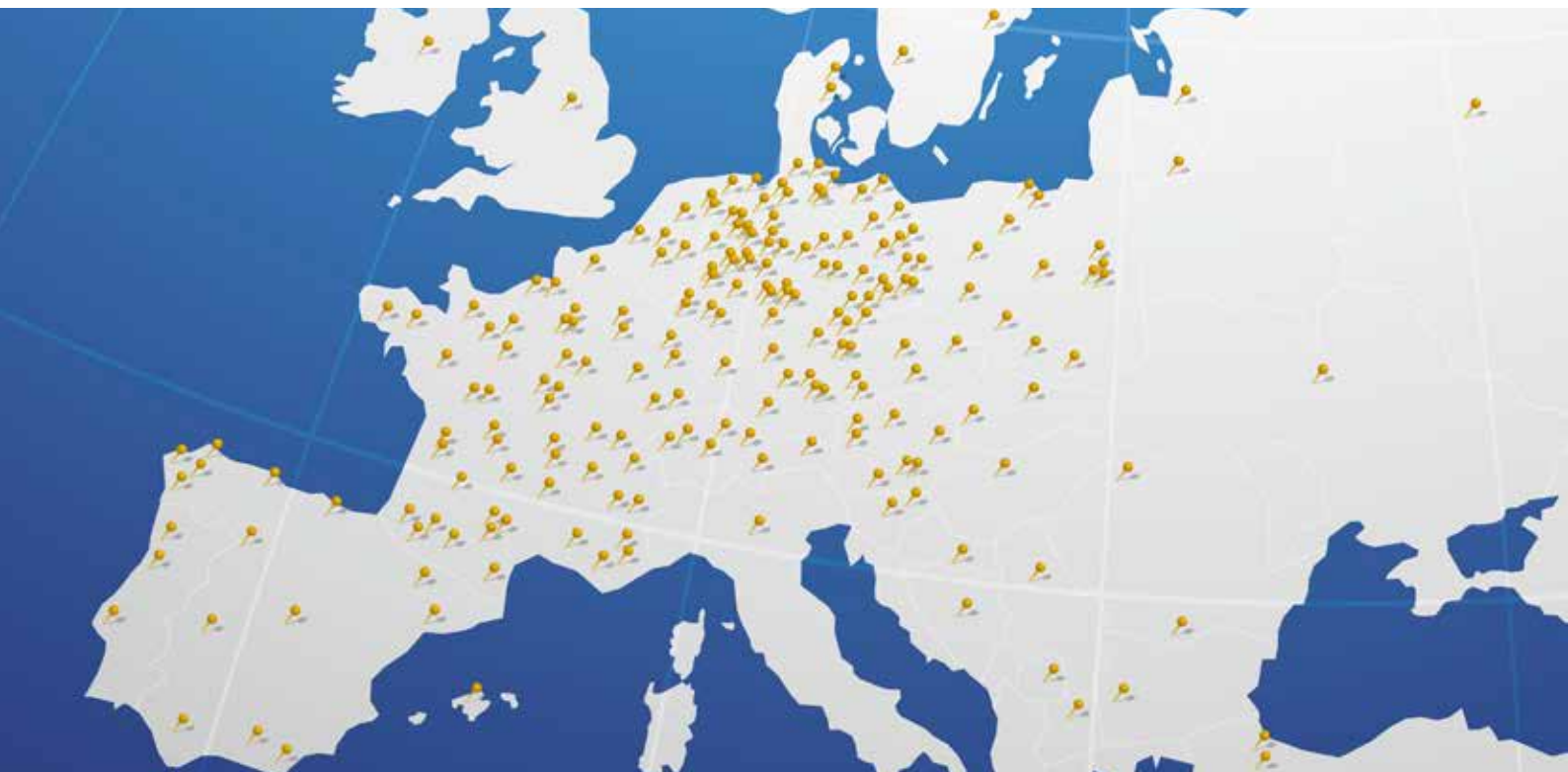


| Part   | Part no.    | Fig. |
|--|-------------|------|
| 6× End hose SK 100, 4.5", 2,850 mm             | 253 319.001 | 14   |
| 6× Sponge ball Ø 120 mm                        | 016 091.003 | 15   |
| Additional accessories                         | Part no.    | Fig. |
| 1× Wash-out port lid for T-delivery pipe, 5.5" | 057 619.004 |      |
| 1× Pipeline mount, wall or ground              | 051 038.005 | 16   |
| 1× PM grout, 18 l storage tank, 25 pcs         | 266 743.004 |      |





# Putzmeister Service – always near you



Find your nearest Putzmeister dealer here  
[www.pmmortar.com](http://www.pmmortar.com)

The maximum availability of your machine must be guaranteed. Our reliable service team will be glad to help if the worst comes to the worst. To make sure you are not kept waiting, we work with a large network of competent service partners located all over the world.

## Fast delivery of original spare parts

We have a large warehouse at our main plant in Aichtal and our service support points, where we stock all our spare and wear parts. Consequently, we can deliver all the parts you need at the drop of a hat. The same applies for our quality accessories. We always keep the most common parts from our extensive assortment in stock.

Our electronic spare part catalogue provides a comprehensive overview of all parts. Simply enter your machine number or part number to display the relevant spare parts. Click on the “Service” menu item on our homepage at [www.pmmortar.de](http://www.pmmortar.de) for more information.





## Work more efficiently with Putzmeister training courses

Gather first-hand information in the Putzmeister academy and share practical knowledge that can be applied to your daily working routine.

### We offer you

- Technical training on the design characteristics and functions of the machine
- User training on handling and economical operation of Putzmeister machines
- Individual seminars held at your own company
- Special seminars for sales partners that discuss current sales information
- State-of-the-art facilities for staff and customer training
- Trainers with extensive practical experience
- Interesting, easily comprehensible transfer of knowledge
- Detailed training documentation

### Advantages

- Save time and money – rectify minor faults and perform simple maintenance tasks independently
- Correct machine operation for greater working efficiency
- Prevent incorrect operation – increase availability



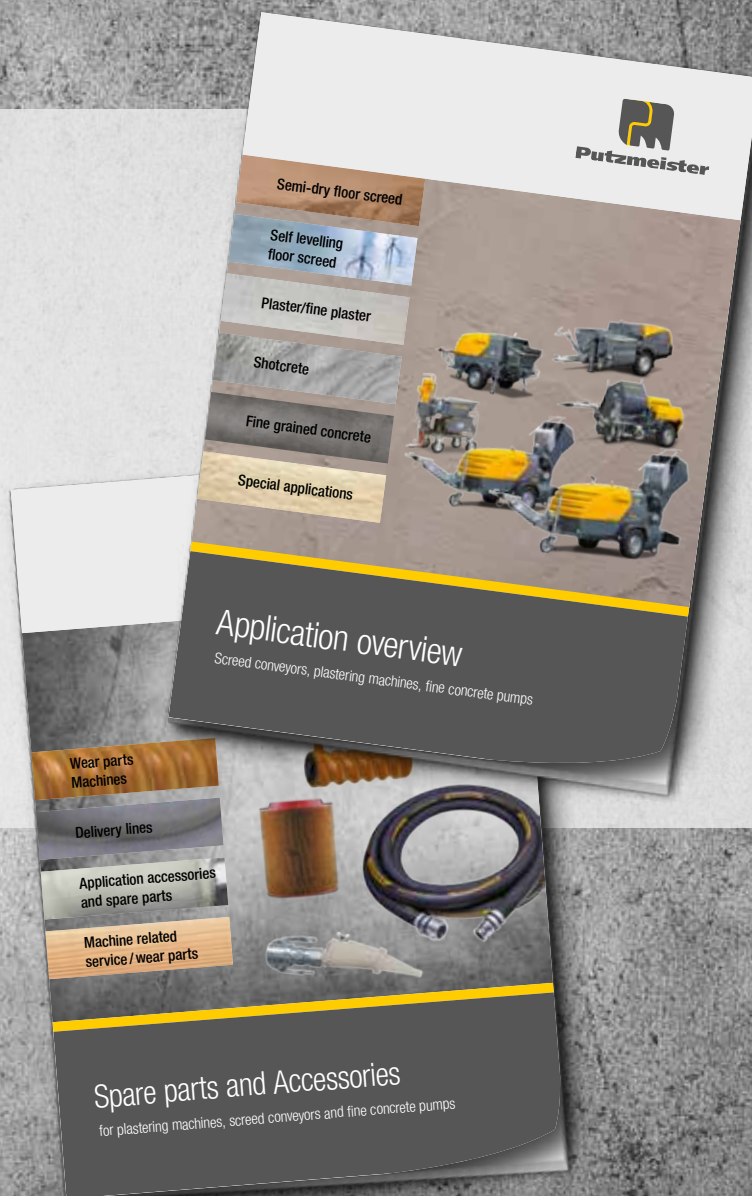
## Your service benefits at a glance

- Service centres in more than 150 countries worldwide
- **Putzmeister service hotline: +49 (7127) 599-699** or e-mail **PMTservices@pmw.de**
- Competent contact partners
- Fast, uncomplicated order processing
- Short delivery times for machines, spare parts, and wear parts
- Certified original parts, 12,000 different items kept in stock
- Eco-friendly machines
- Fair pricing
- Made in Germany
- Manufacturer inspection according to German Engineering Federation requirements (certified as per EN ISO 9001)

Read our application overview brochure for a quick overview of all application solutions.

Or are you interested in purchasing spare parts and other accessories? You can find everything you will need for your machine in our new accessories catalogue.

Ask your Putzmeister dealer or contact us directly. We will send you all the relevant information immediately.



### Putzmeister Mörtelmaschinen GmbH

Max-Eyth-Straße 10 · 72631 Aichtal / Germany  
P.O.Box 2152 · 72629 Aichtal / Germany  
Tel. +49 (7127) 599-0 · Fax +49 (7127) 599-743  
mm@putzmeister.com · www.pmmortar.de

